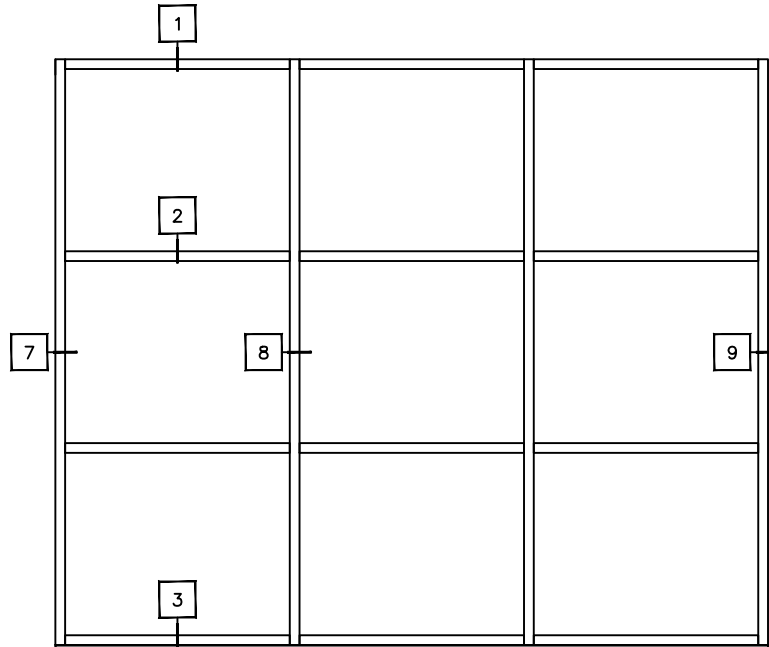
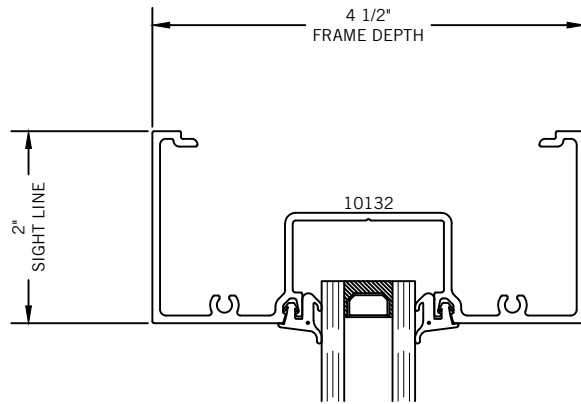


## STOREFRONT SERIES B450N

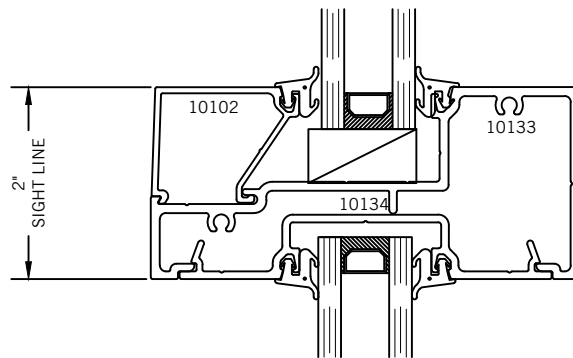
<b>Air Infiltration: (ASTM E283-04)</b>	<b>0.05 cfm/ft at 6.24 psf</b>
<b>Water Resistance: (ASTM E331-09) (ASTM E547-09)</b>	<b>No Leakage at 10 psf</b>
<b>Uniform Load Deflection: (ASTM E330-10)</b>	<b>25 psf</b>
<b>Thermal Break:</b>	<b>Yes</b>
<b>Main Frame Depth:</b>	<b>4 1/2"</b>
<b>Glazing Thickness:</b>	<b>1"</b>

Let's Shine.

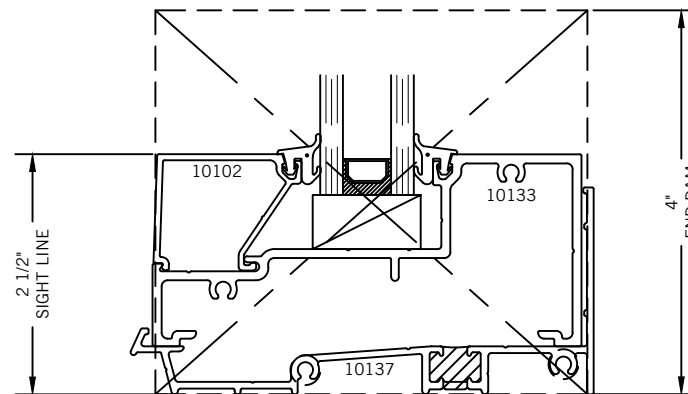
**B450N STOREFRONT SYSTEM**



1  
HEAD

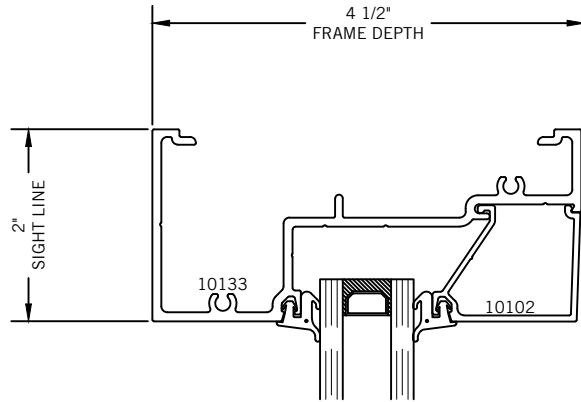


2  
HORIZONTAL

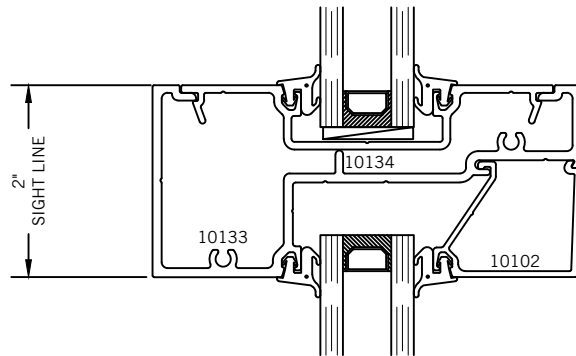


3  
SILL

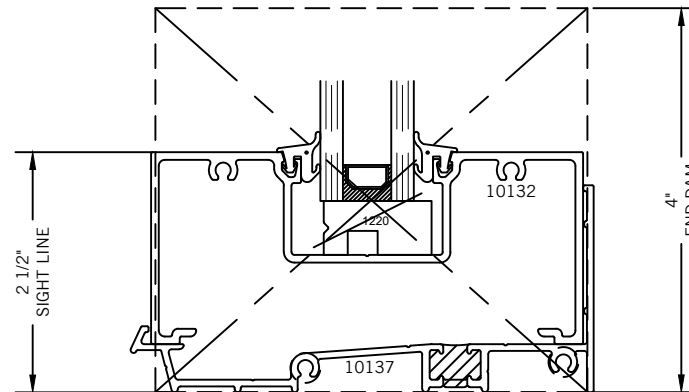
Let's Shine.



4  
HEAD



5  
HORIZONTAL



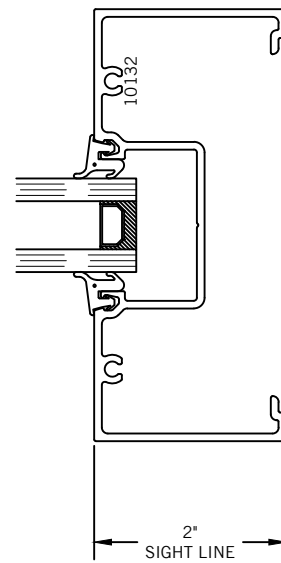
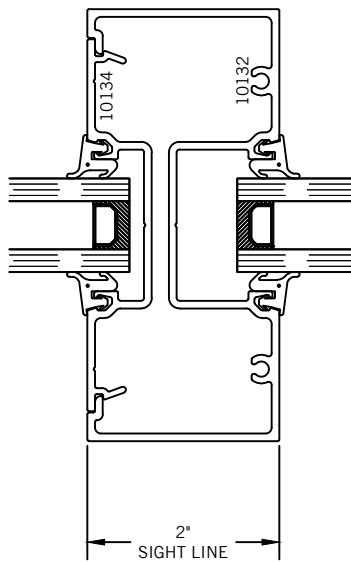
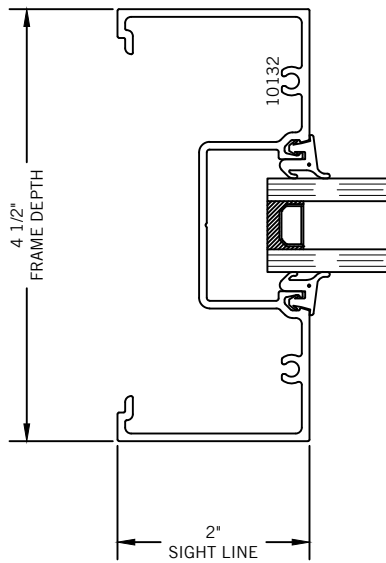
6  
SILL

Let's Shine.

7  
JAMB

8  
VERTICAL

9  
JAMB



Let's Shine.