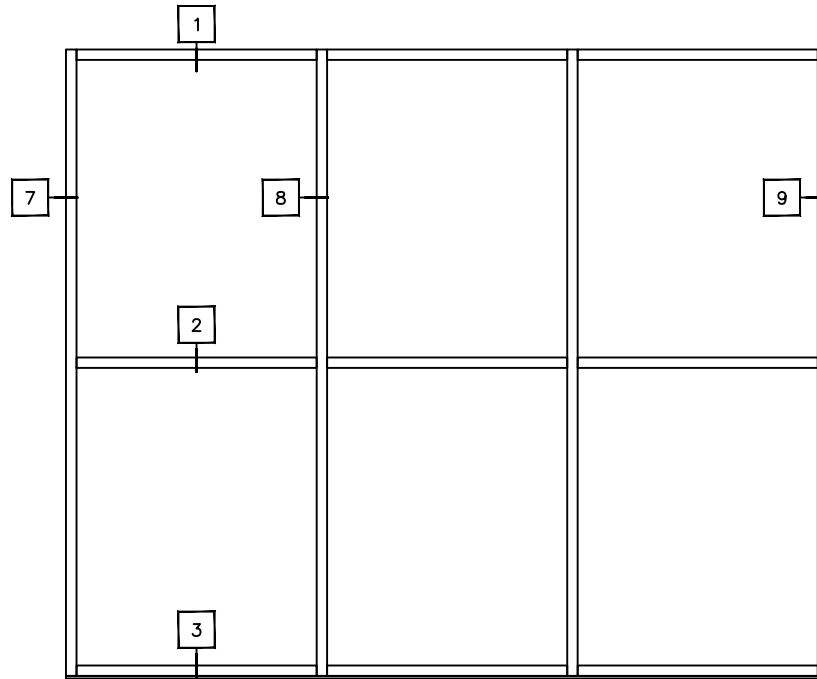
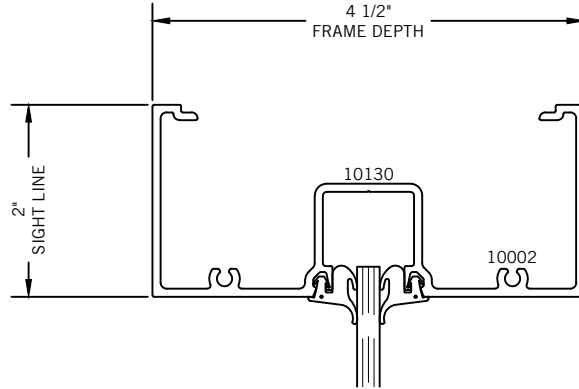


STOREFRONT SERIES B425

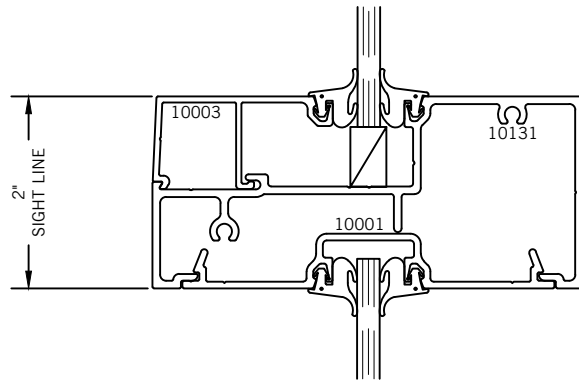
Air Infiltration: (ASTM E283-04)	0.06 cfm/ft at 6.24 psf
Water Resistance: (ASTM E331-09) (ASTM E547-09)	No Leakage at 10 psf
Uniform Load Deflection: (ASTM E330-10)	20 psf
Thermal Break:	No
Main Frame Depth:	4 1/2"
Glazing Thickness:	1/4"

**B425 STOREFRONT SYSTEM**

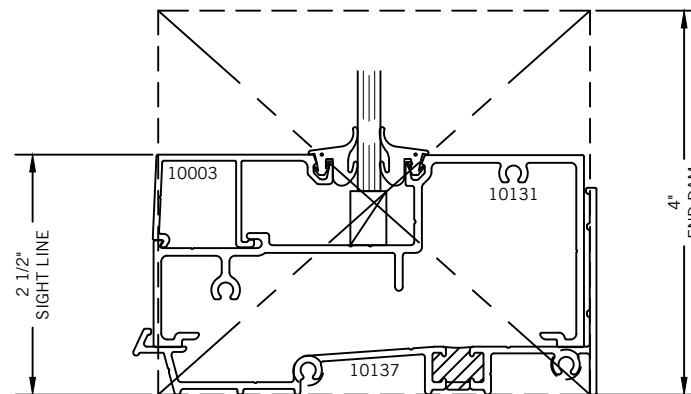
Let's Shine.



1
HEAD

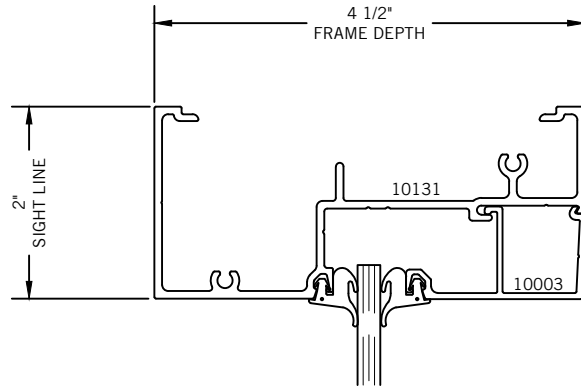


2
HORIZONTAL

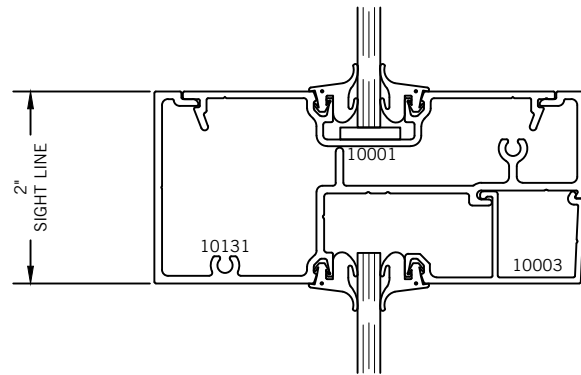


3
SILL

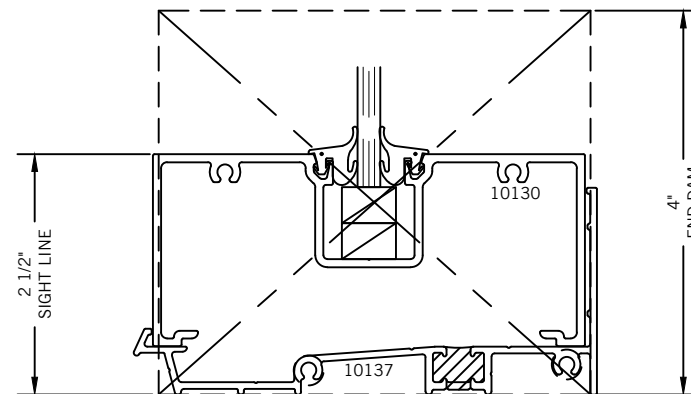
Let's Shine.



4
HEAD



5
HORIZONTAL



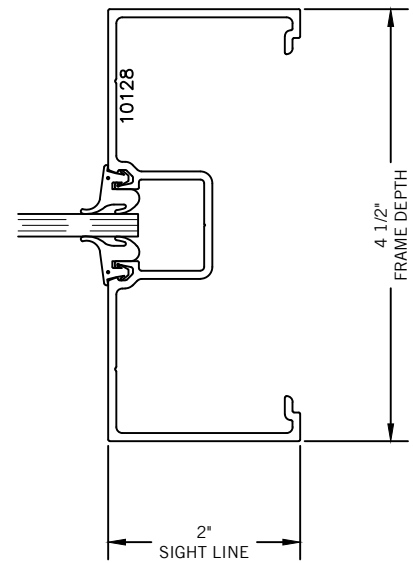
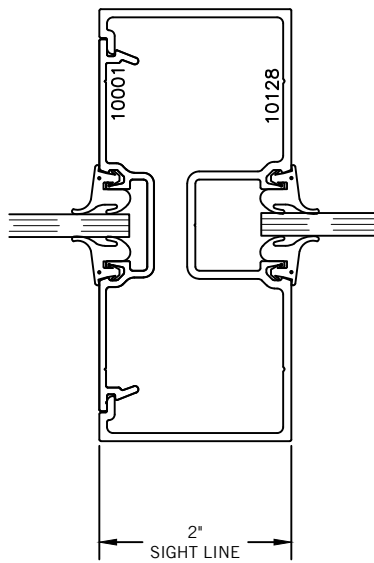
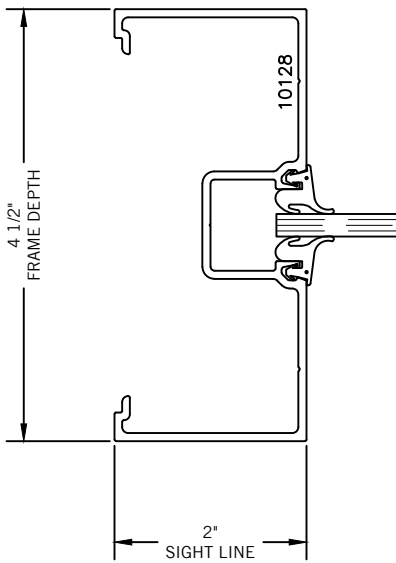
6
SILL

Let's Shine.

7
JAMB

8
VERTICAL

9
JAMB



Let's Shine.