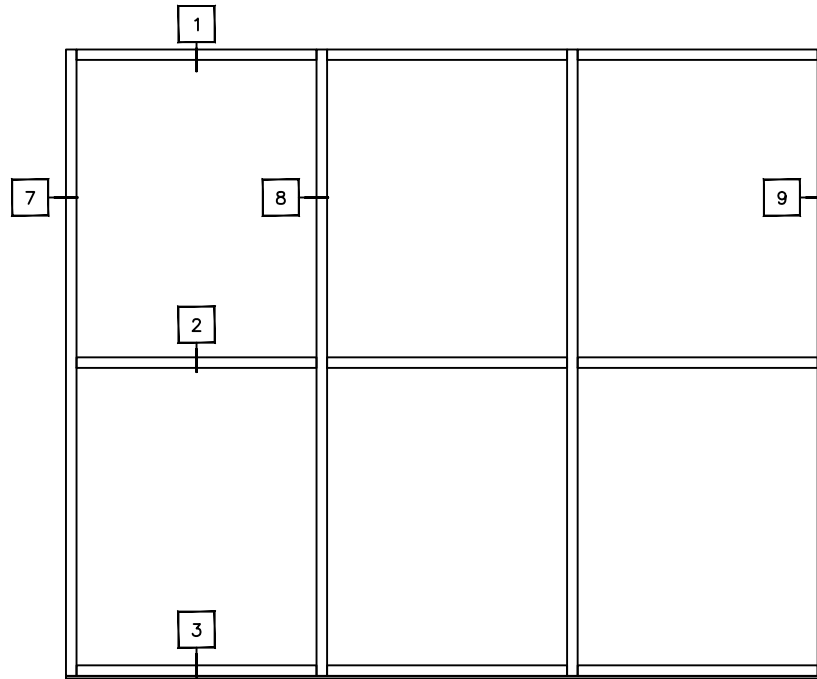


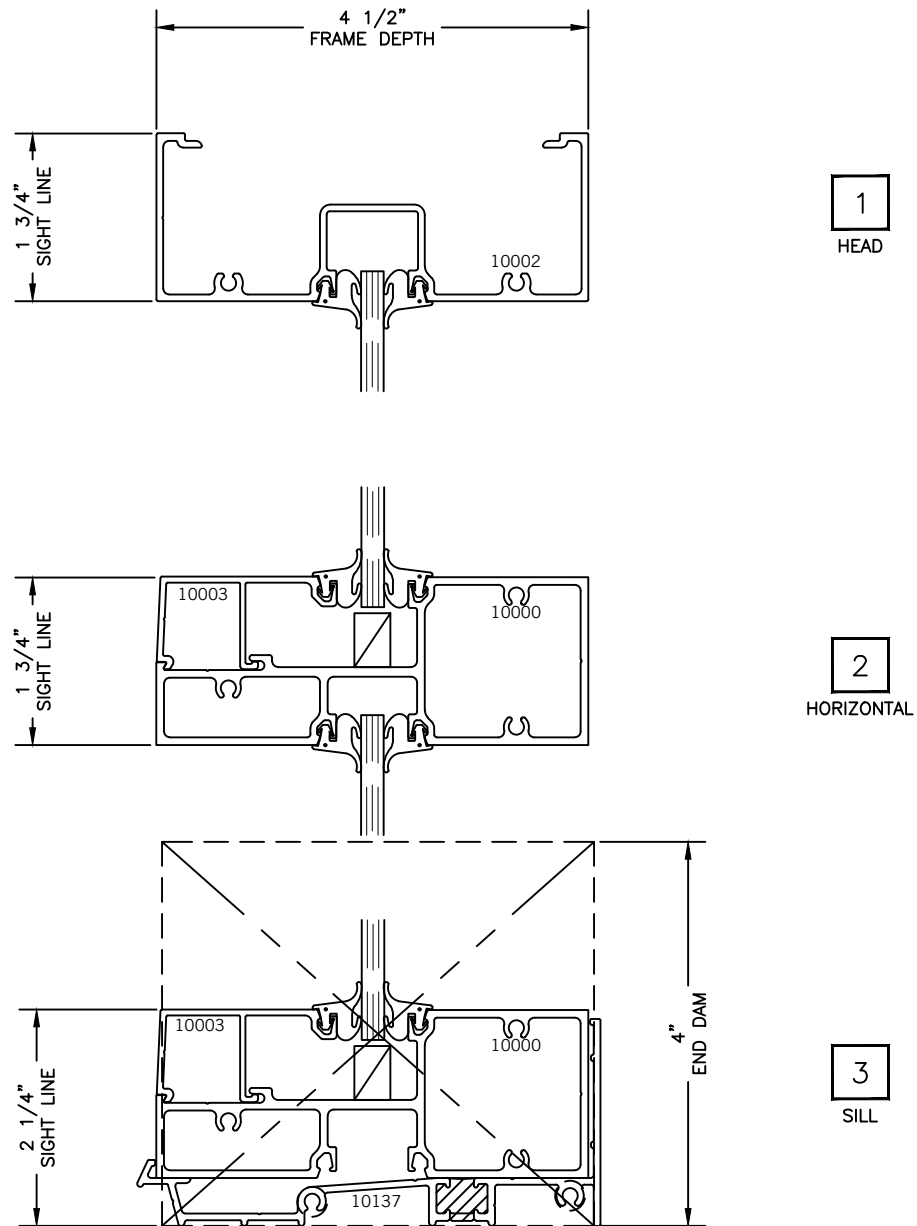
STOREFRONT SERIES B350

Air Infiltration: (ASTM E283-04)	0.06 cfm/ft at 6.24 psf
Water Resistance: (ASTM E331-09) (ASTM E547-09)	No Leakage at 10 psf
Uniform Load Deflection: (ASTM E330-10)	20 psf
Thermal Break:	No
Main Frame Depth:	4 1/2"
Glazing Thickness:	1/4"

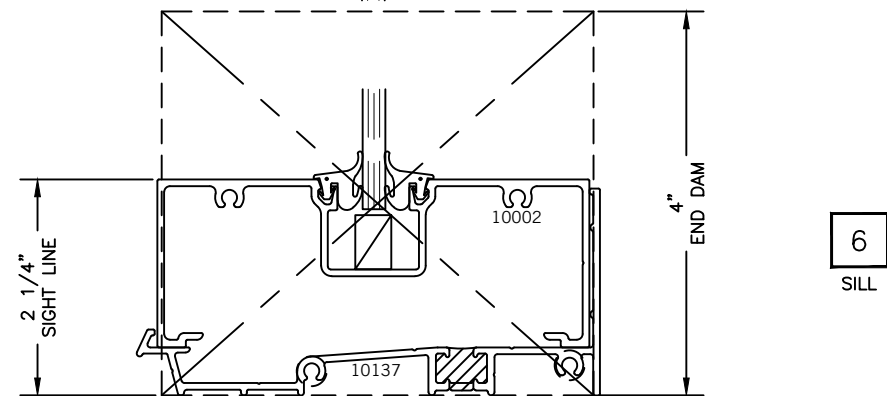
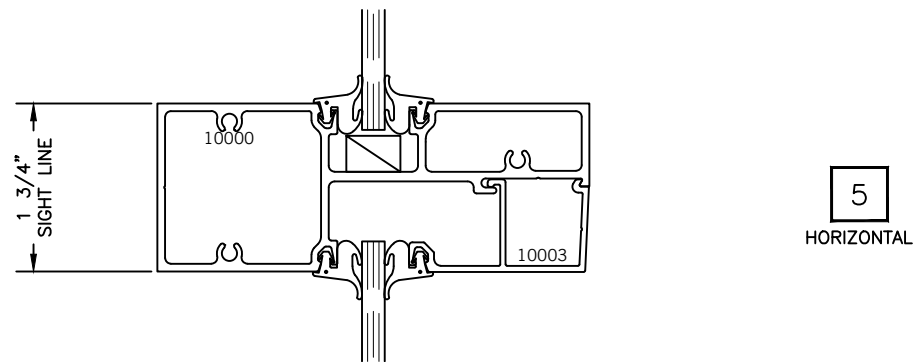
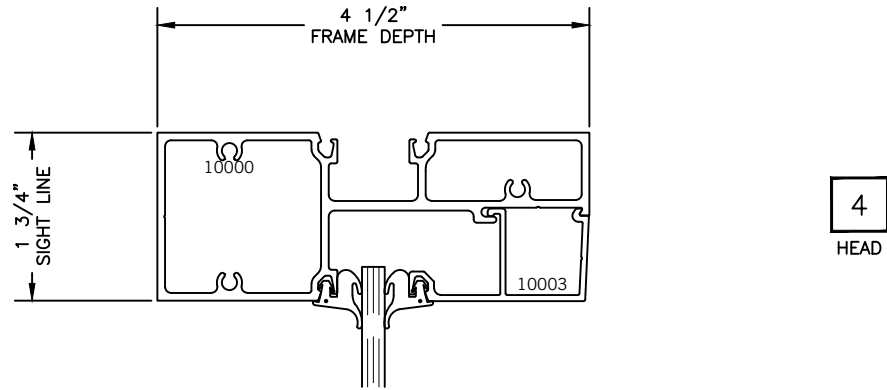
Let's Shine.

**B350 STOREFRONT SYSTEM**

Let's Shine.



Let's Shine.

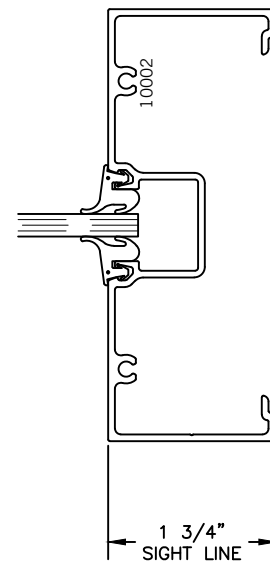
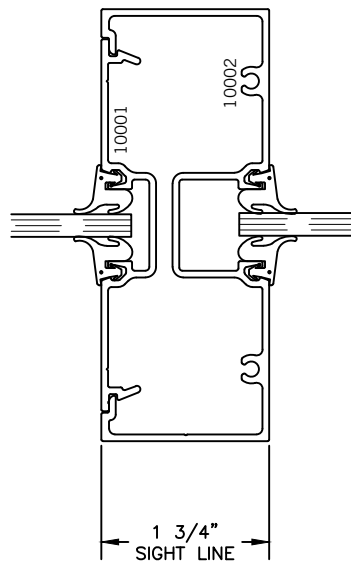
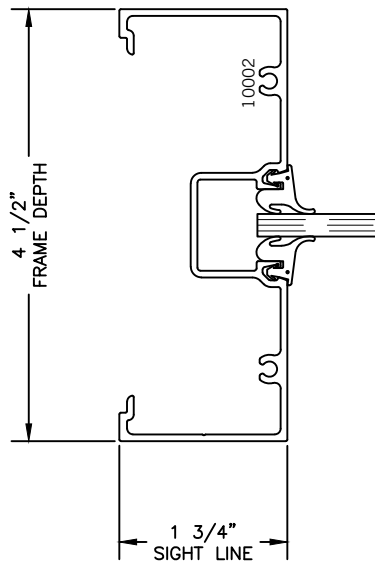


Let's Shine.

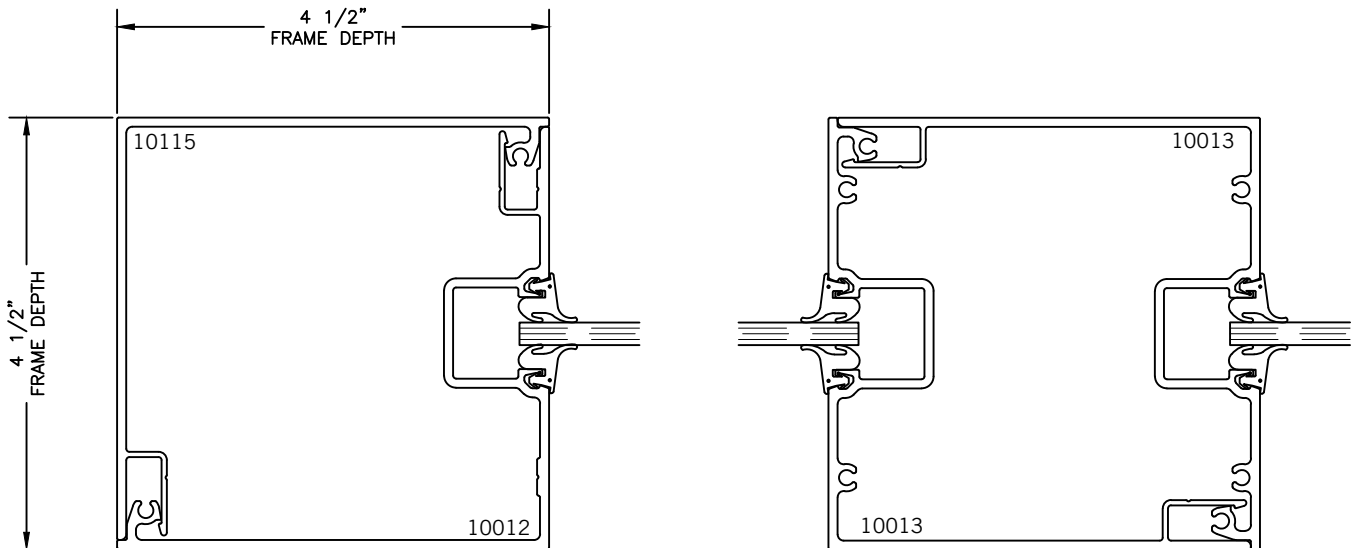
7
JAMB

8
VERTICAL

9
JAMB



Let's Shine.

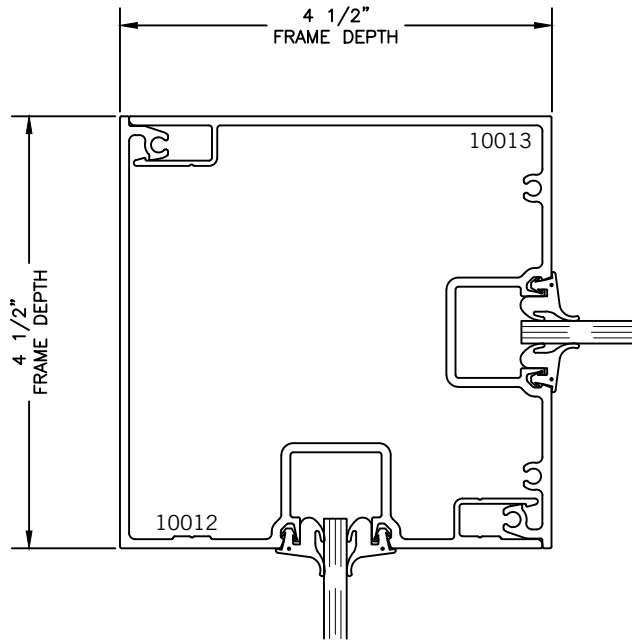


10
4" JAMB

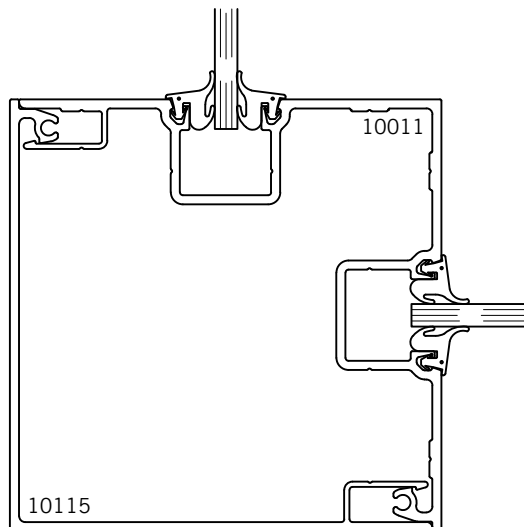
11
4" MULLION

Let's Shine.

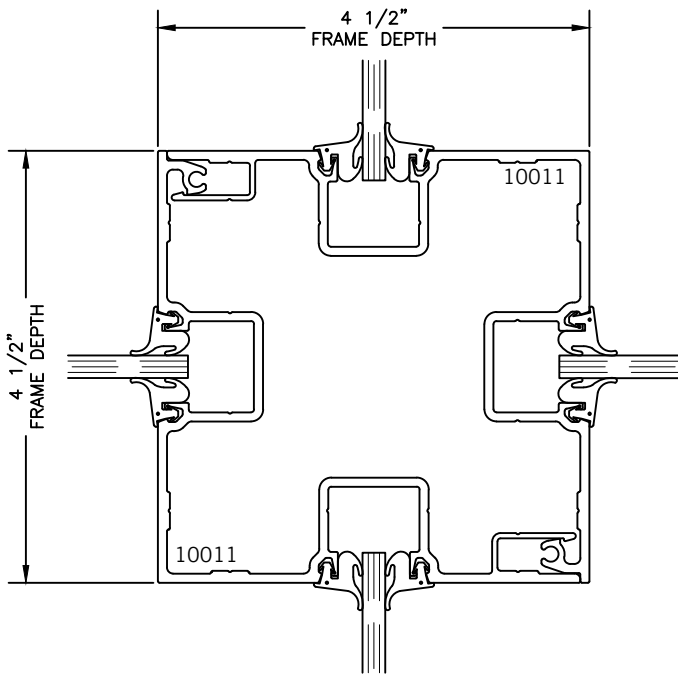
12
2 PIECE
90° CORNER



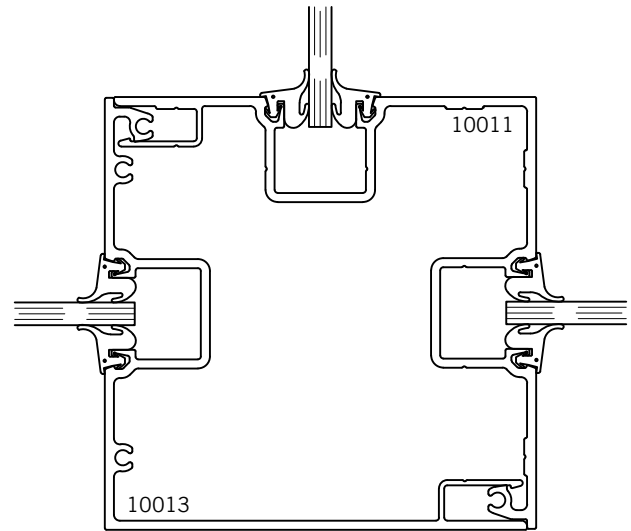
13
90° CORNER
AND COVER



Let's Shine.



14
4 WAY MULLION



15
3 WAY MULLION

Let's Shine.