

B2500 CURTAINWALL MUNTIN INSTALLATION INSTRUCTIONS

GENERAL OVERVIEW

- Grids are not to be used in any manner other than their intended use.
- Check all materials at the time of delivery. Report any damage or missing items to Boyd Aluminum and freight carrier immediately.

STORAGE AND PROTECTION

- Practice safe material handling and distribution.
- Do not drop, drag, or walk on packaged or boxed materials.
- If packages are wet or contaminated by other work site products, remove from contaminated packaging and repackage.
- Store in a safe dry location; secure in place to protect from wind or other potential threats if needed.

CLEANING WINDOWS

- Cement, plaster, acid, petroleum cleaners and dirt can cause grid adhesive to not adhere properly.
- Extended use of duct tape, masking tape, or similar products is not recommended. These products may also damage finishes.
- Clean glass with Isopropyl alcohol or product containing it.

CONSTRUCTION AND JOB SITE NOTES

- All materials need to be inventoried to be certain everything required for installation is accounted for.
- Grids need to be installed plumb, level, and true.
- Protection and cleaning of materials are the responsibility of the glazing contractor, general contractor, or owner.
- Pinning, to the surrounding conditions should be 3” from inside frame at top and bottom on all jambs, and are the responsibility of the installer.
- Only grid, tape & anchor pins are supplied by Boyd Aluminum.
- Due to changing window parameters, Boyd Aluminum reserves the right to change detailing and documentation without notification.

INSTALLATION STEPS

- Installation instructions are intended to be a reasonable guideline for the installation of grids, based on common conditions. Conditions on a project vary, and deviations should be noted prior to ordering.

STEP 1: INSPECT THE OPENINGS

Verify that the rough opening sizes and locations match what is being ordered. Verify grid unit sizes that are received. They should typically be 1/4" smaller than window frame openings.

Figure 1.1

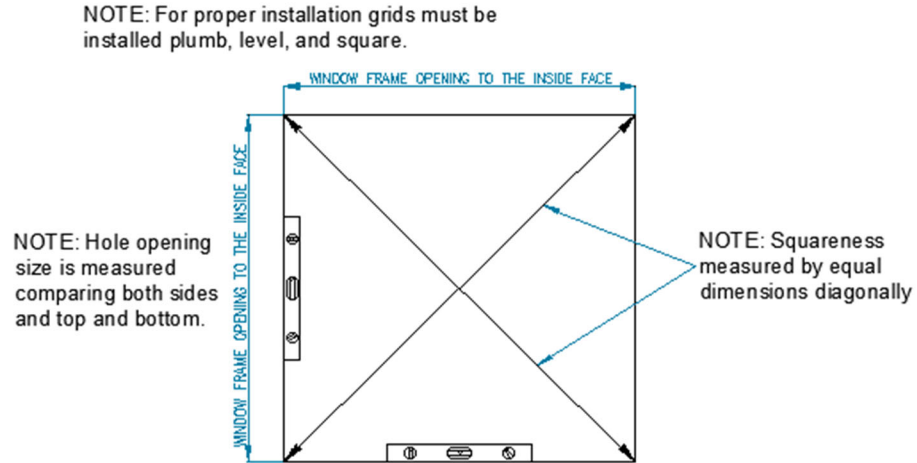


Figure 1.1

STEP 2: PREPARE THE GRIDS

Measure 3" from inside corners of the top and bottom at jambs. (Figure 1.2)

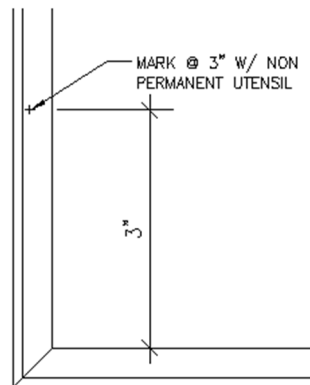


Figure 1.2

Mark and drill holes in grid. (Figure 1.3)

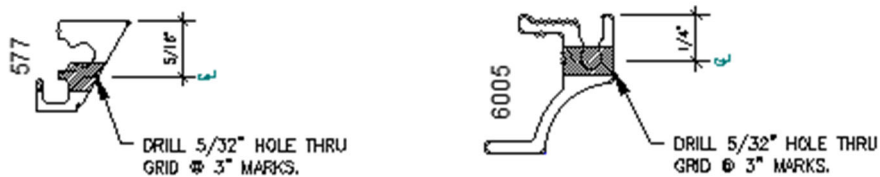


Figure 1.3

STEP 3: PREPARE THE OPENINGS

Place Grid unit into opening and shim to make grid equal in opening while making sure the grid fits properly. (Figure 1.4)

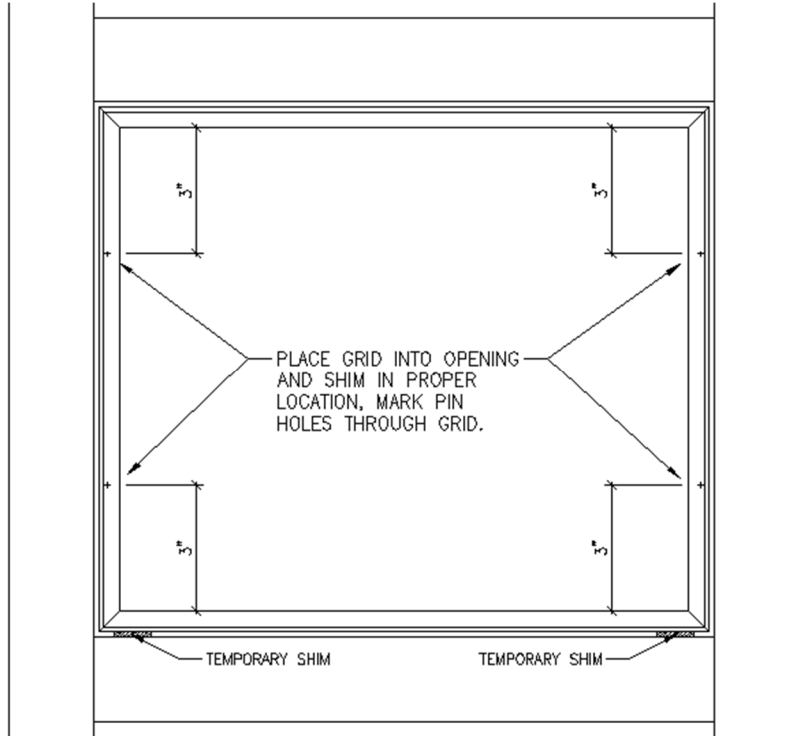


Figure 1.4

Remove grid and using a 5/32" drill bit drill thru the mullion cap edge at gasket. (Figure 1.5)

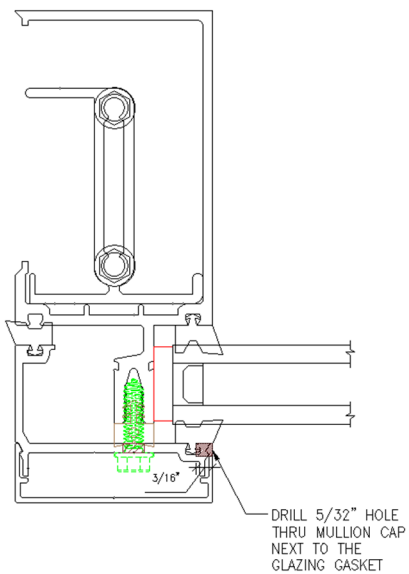


Figure 1.5

STEP 4: ANCHOR THROUGH THE FRAME

Place grid back into hole with only the corners if the tape peeled back.

Shim to correct location and insert the supplied pins in the holes. (Figure 1.6)

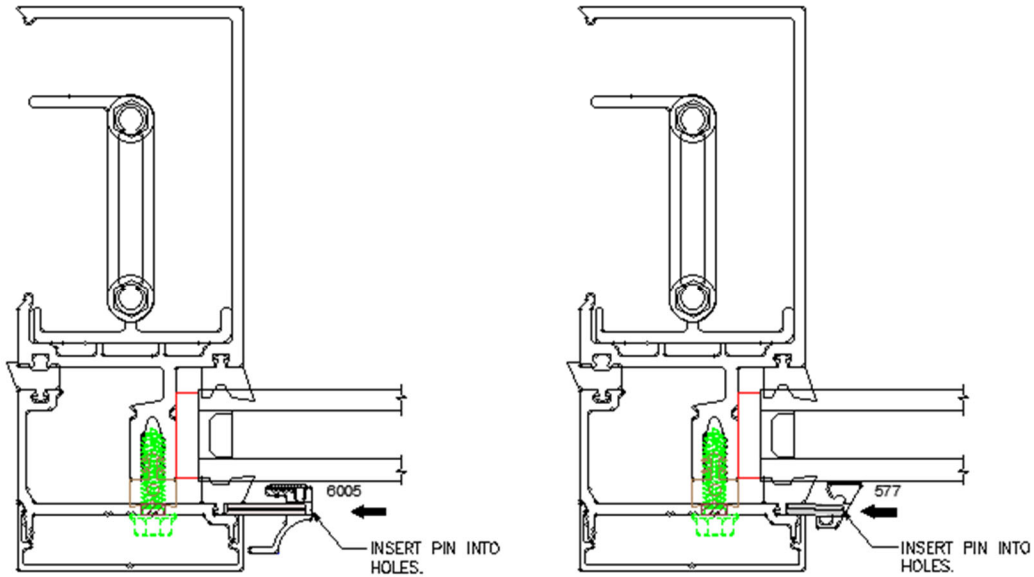


Figure 1.6

Step 5: ATTACHING GRID TO THE GLASS

Slowly peel the tape @ press the grid solid to the glass. (Figure 1.7)

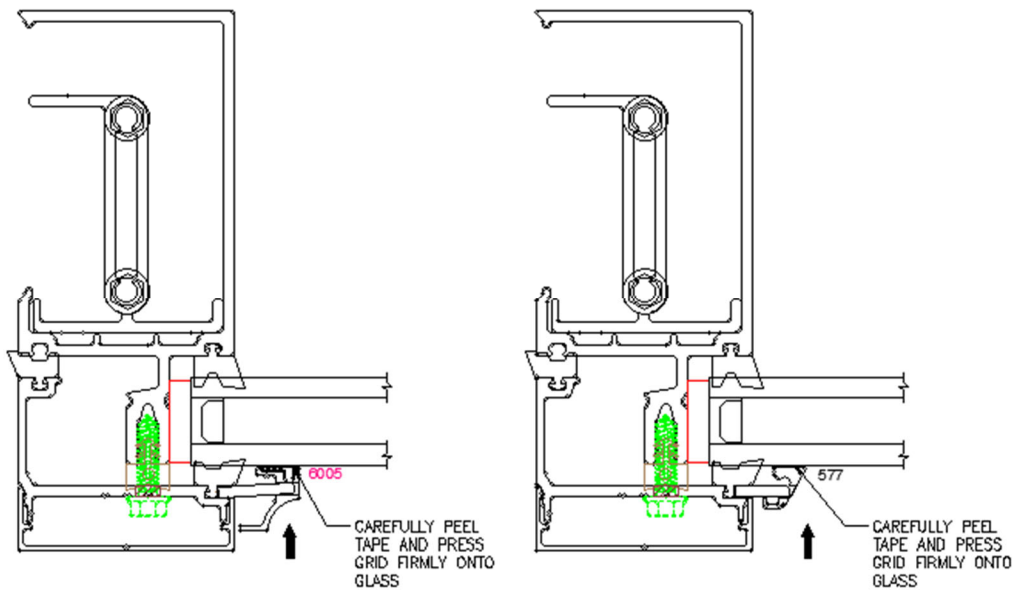


Figure 1.7

Step 6: FILL THE PIN HOLES

Fill the pin holes with a matching filler. (Figure 1.8)

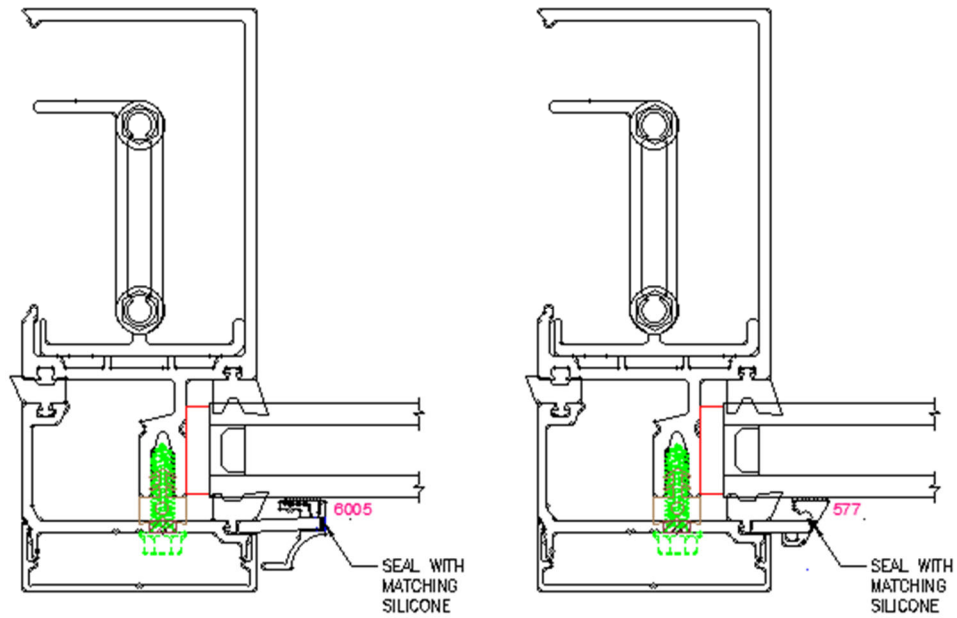


Figure 1.8

Installation of the Boyd Architectural Muntin system is now complete.