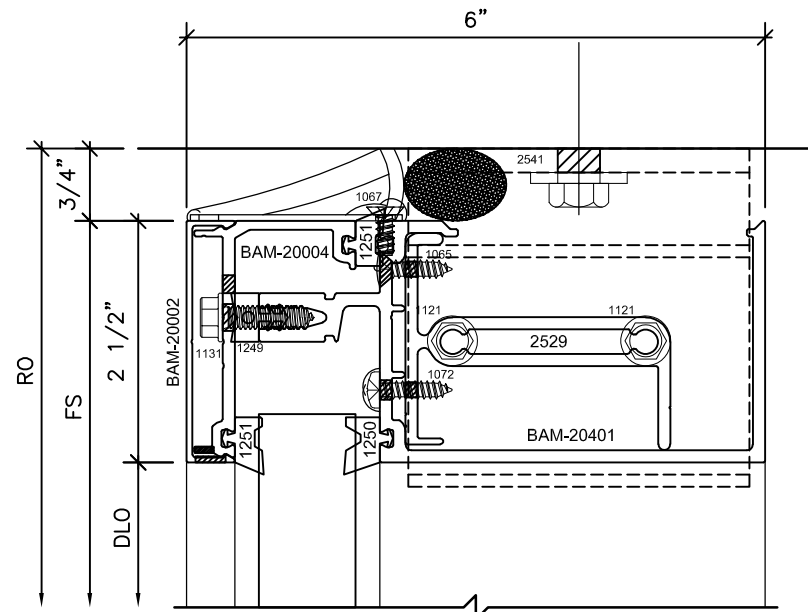
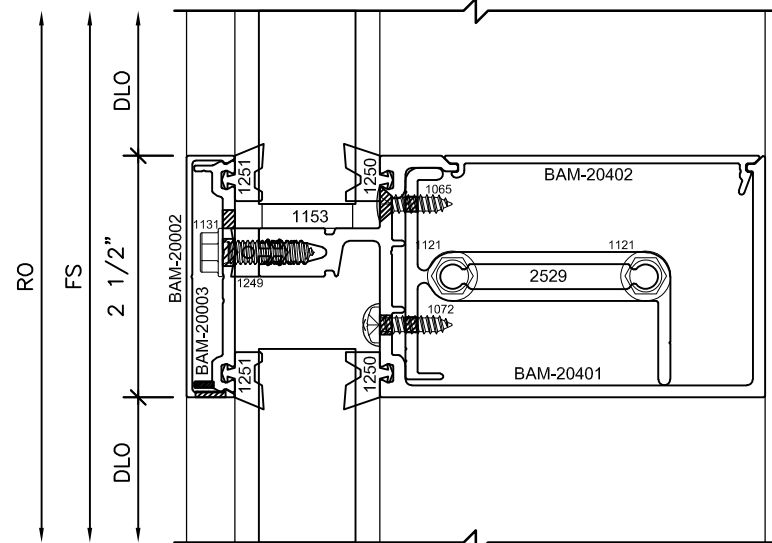


3 HEAD
 SERIES: B2500 CW
 MISC:

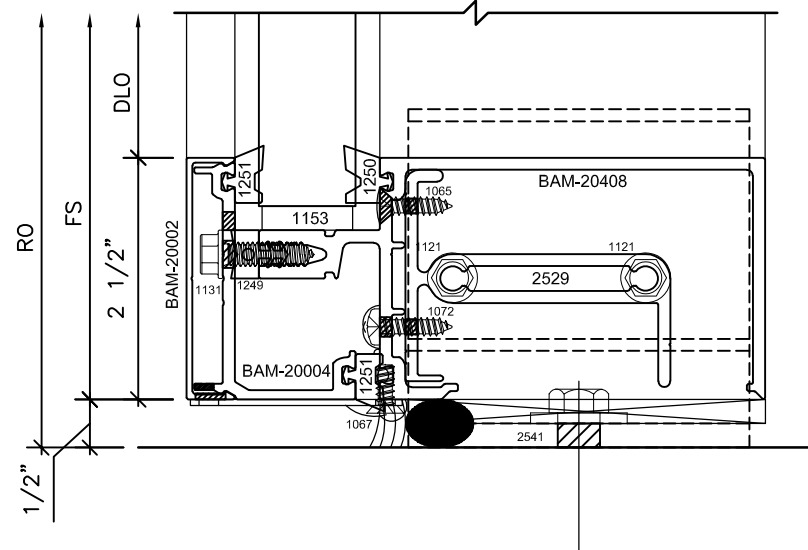


NOTE: EXAMPLE
 ANCHORS SHOWN.
 CONFIRM PROJECT
 REQUIREMENTS.
 (NBB)

2 HORIZ
 SERIES: B2500 CW
 MISC:

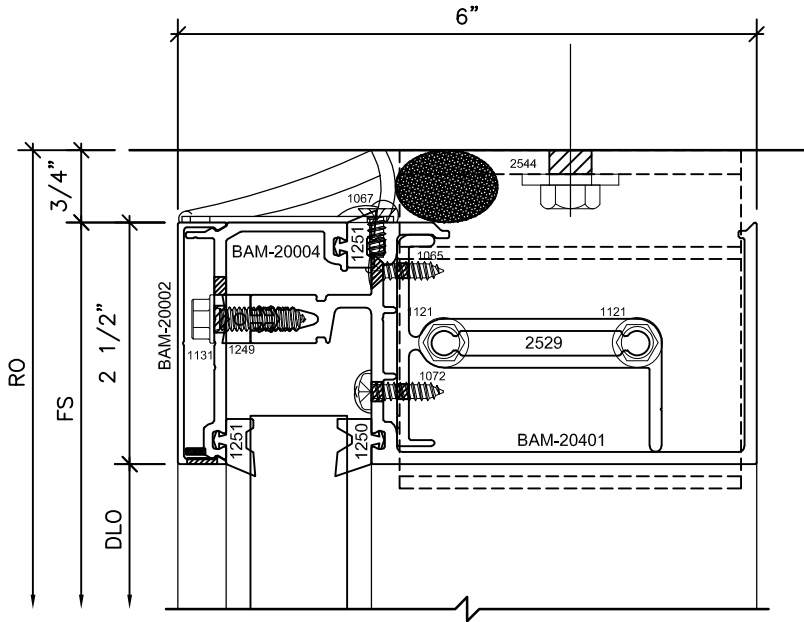


1 SILL
 SERIES: B2500 CW
 MISC:



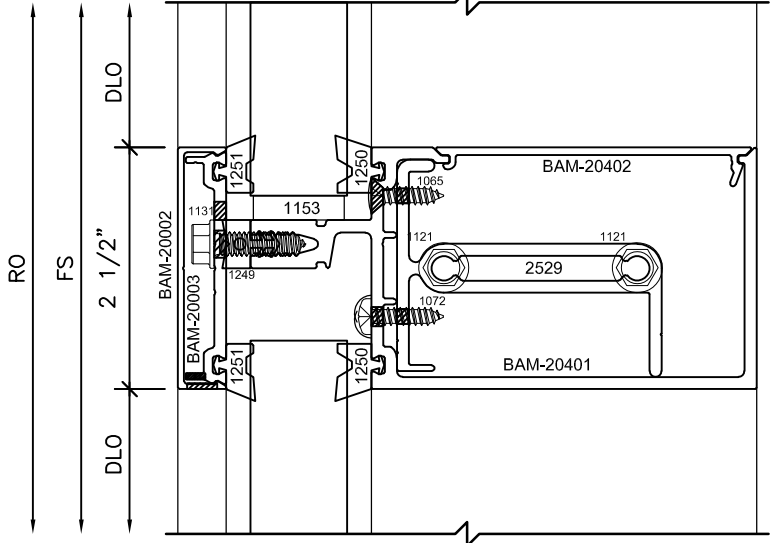
NOTE: EXAMPLE
 ANCHORS SHOWN.
 CONFIRM PROJECT
 REQUIREMENTS.
 (NBB)

3 HEAD
 SERIES: B2500 CW
 MISC:

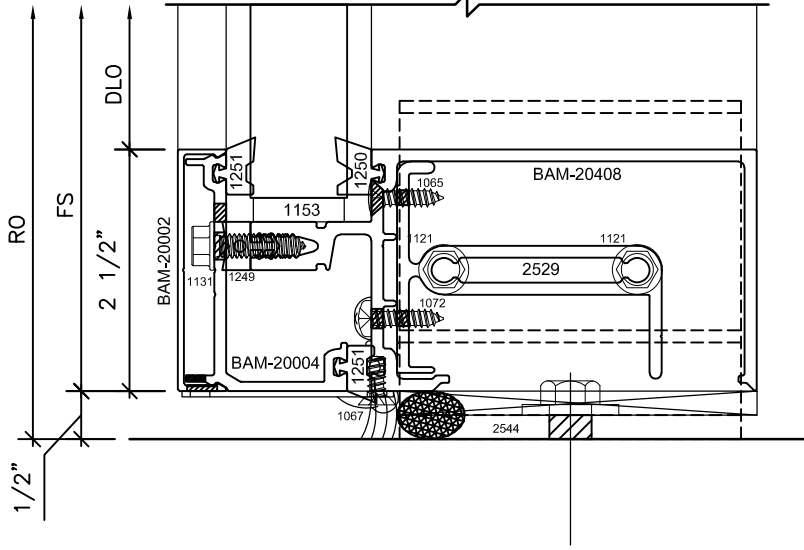


NOTE: EXAMPLE
 ANCHORS SHOWN.
 CONFIRM PROJECT
 REQUIREMENTS.
 (NBB)

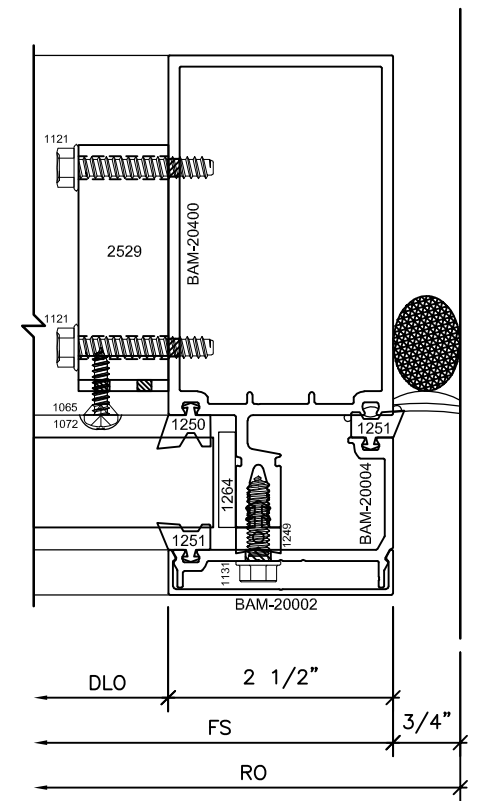
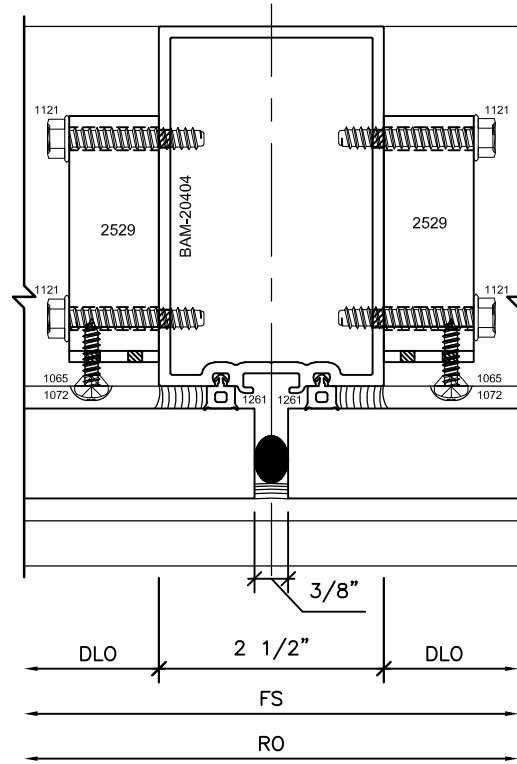
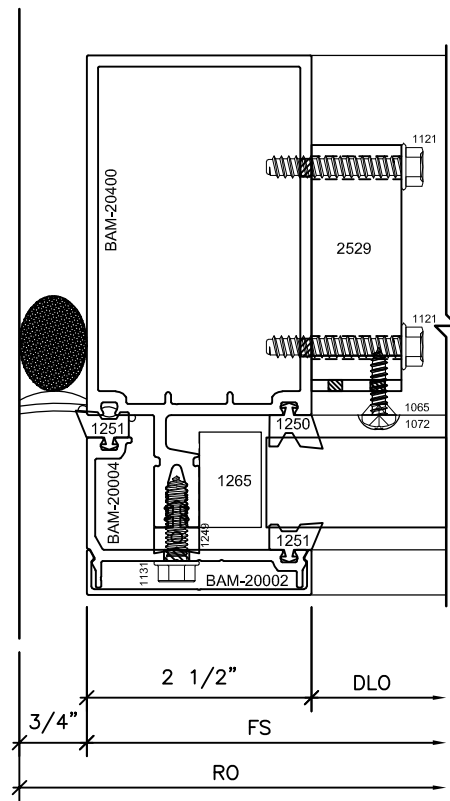
2 HORIZ
 SERIES: B2500 CW
 MISC:



1 SILL
 SERIES: B2500 CW
 MISC:



NOTE: EXAMPLE
 ANCHORS SHOWN.
 CONFIRM PROJECT
 REQUIREMENTS.
 (NBB)



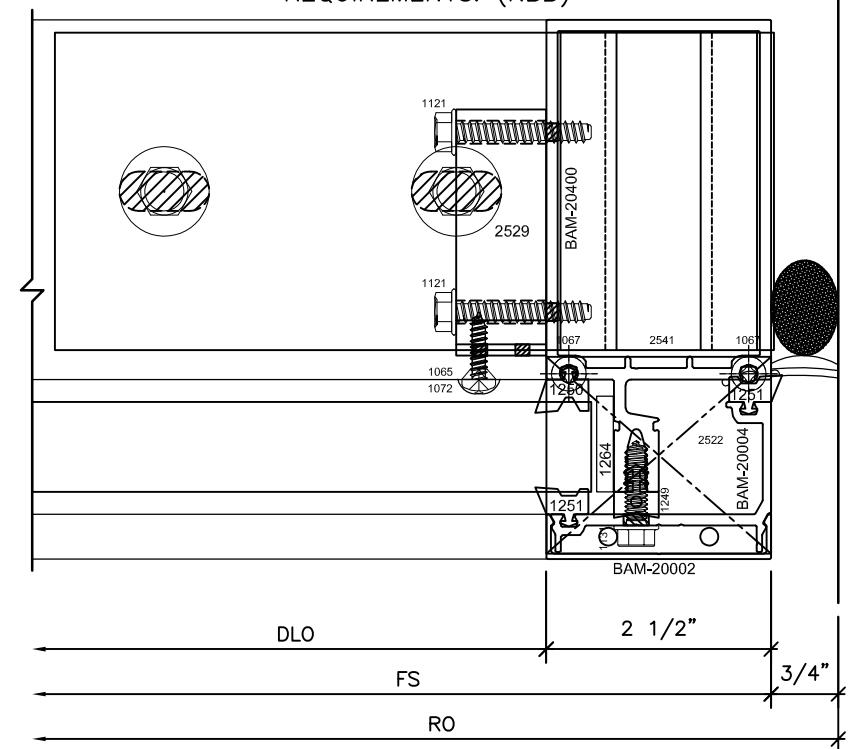
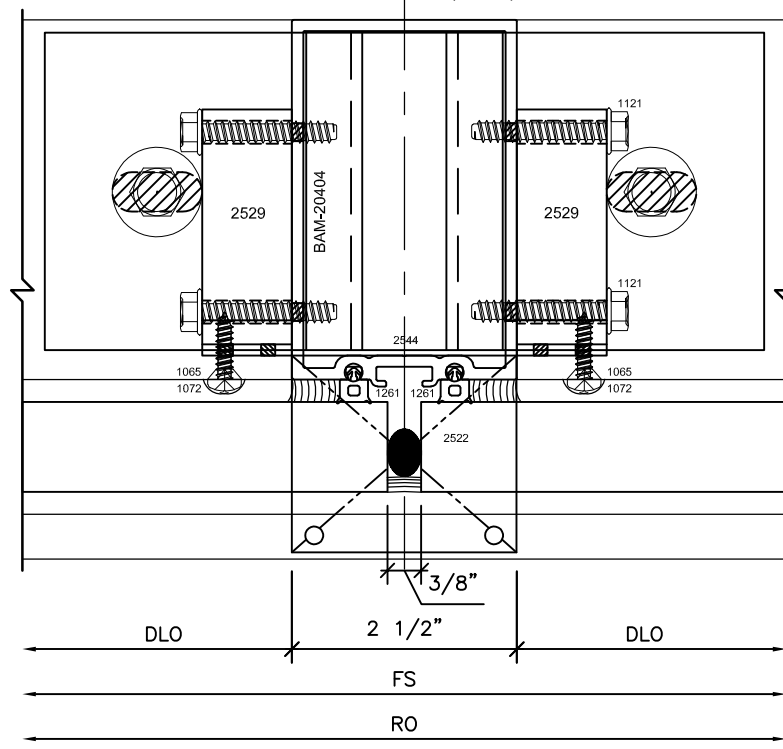
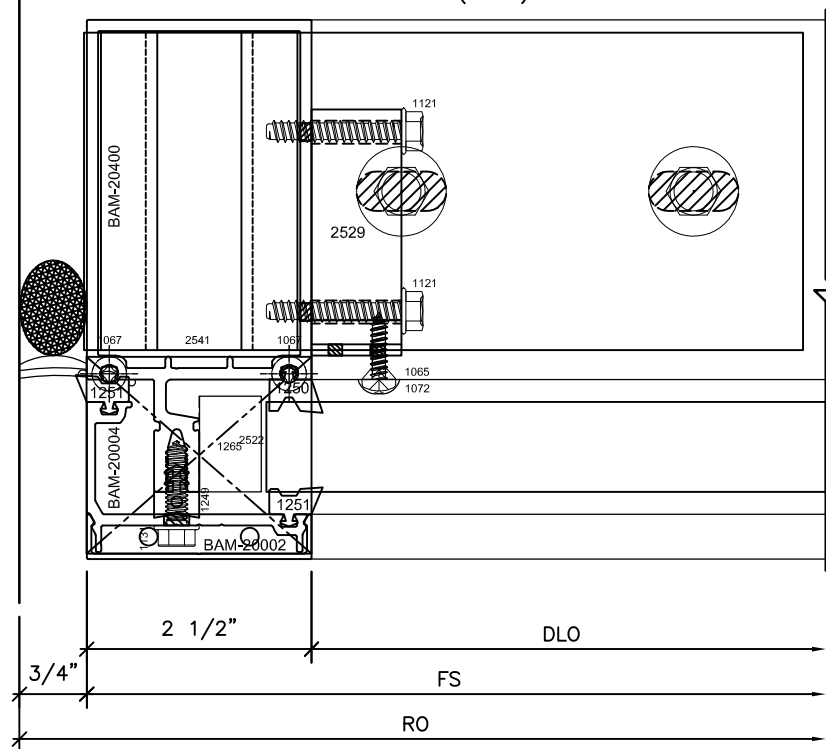
5 MULL SSG
 SERIES: B2500 CW
 MISC:

6 JAMB
 SERIES: B2500 CW
 MISC:

NOTE: EXAMPLE ANCHORS SHOWN. CONFIRM PROJECT REQUIREMENTS. (NBB)

NOTE: EXAMPLE ANCHORS SHOWN. CONFIRM PROJECT REQUIREMENTS. (NBB)

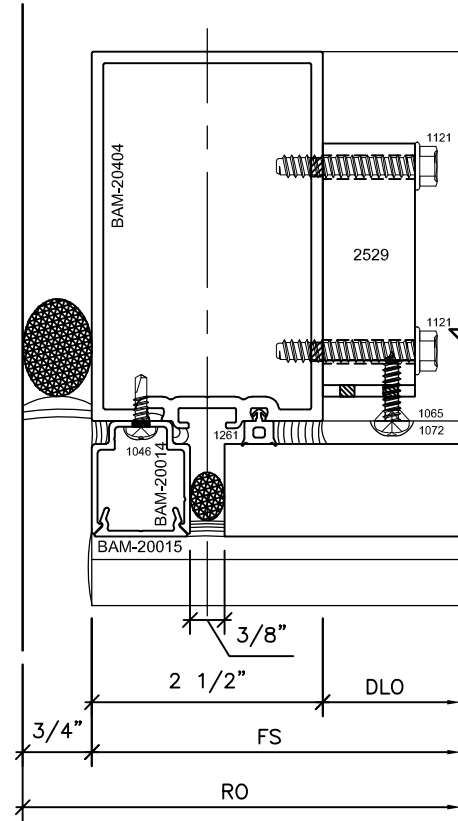
NOTE: EXAMPLE ANCHORS SHOWN. CONFIRM PROJECT REQUIREMENTS. (NBB)



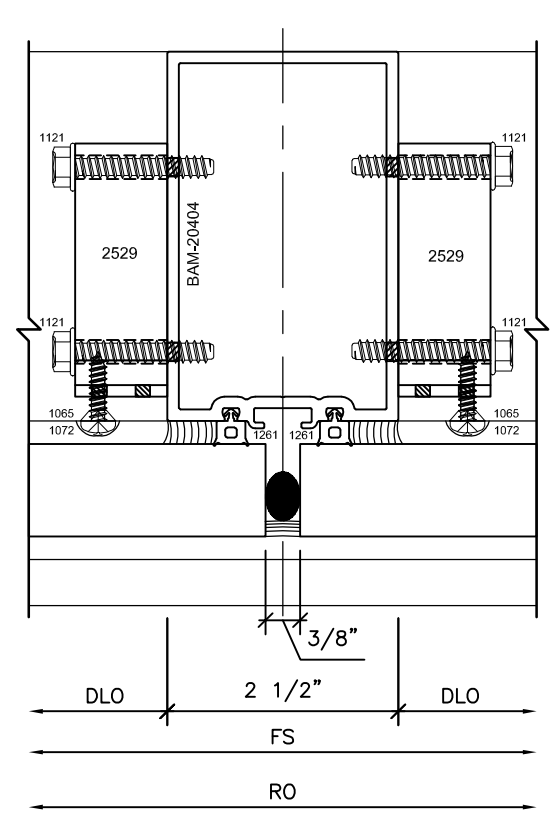
4 JAMB
 SERIES: B2500 CW
 MISC:

5 MULL SSG
 SERIES: B2500 CW
 MISC:

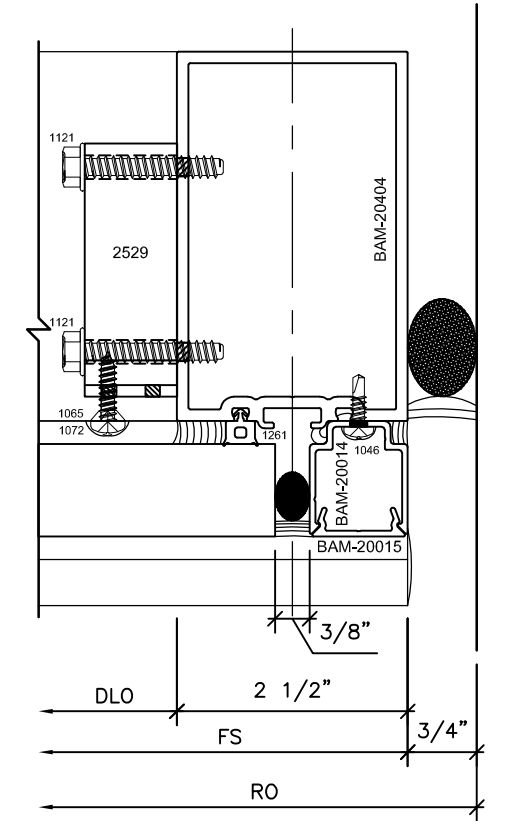
6 JAMB
 SERIES: B2500 CW
 MISC:



4 JAMB SSG
 SERIES: B2500 CW
 MISC:

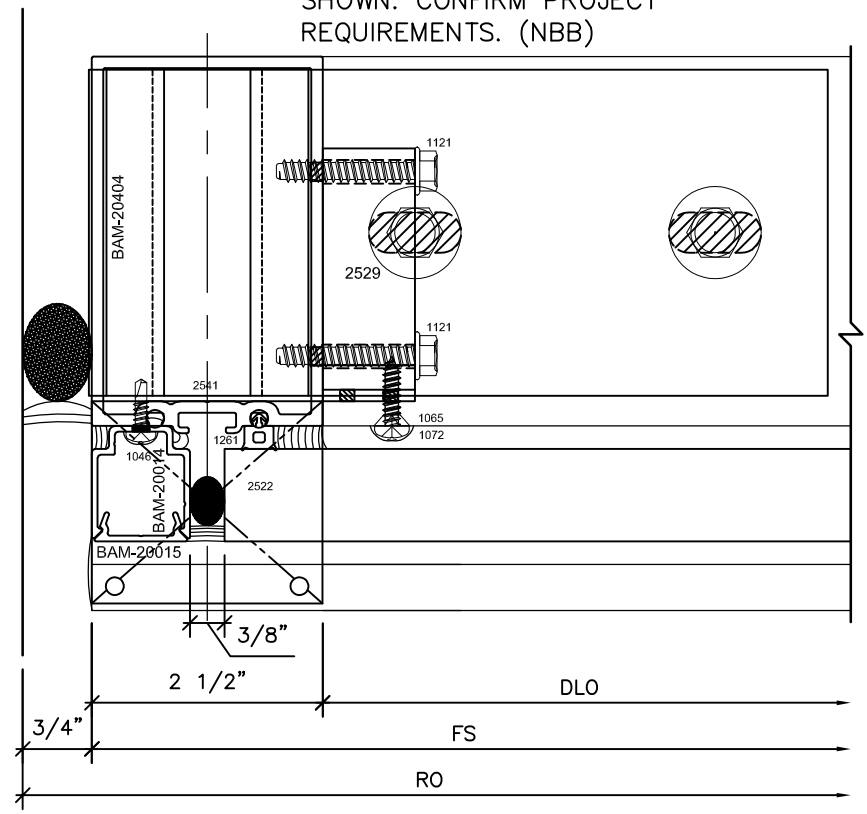


5 MULL SSG
 SERIES: B2500 CW
 MISC:



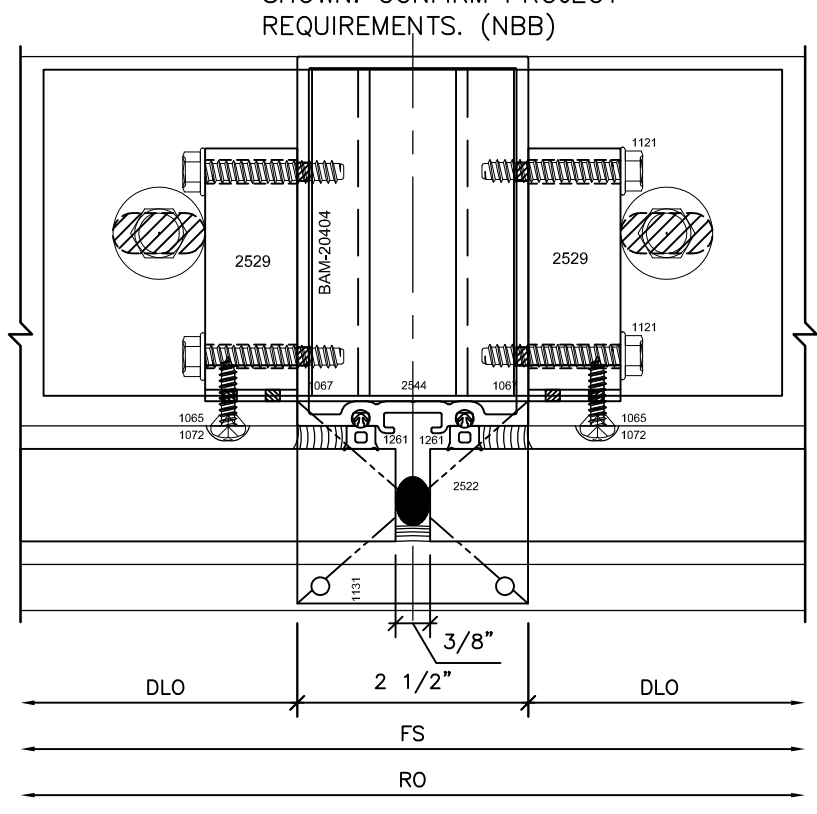
6 JAMB SSG
 SERIES: B2500 CW
 MISC:

NOTE: EXAMPLE ANCHORS SHOWN. CONFIRM PROJECT REQUIREMENTS. (NBB)



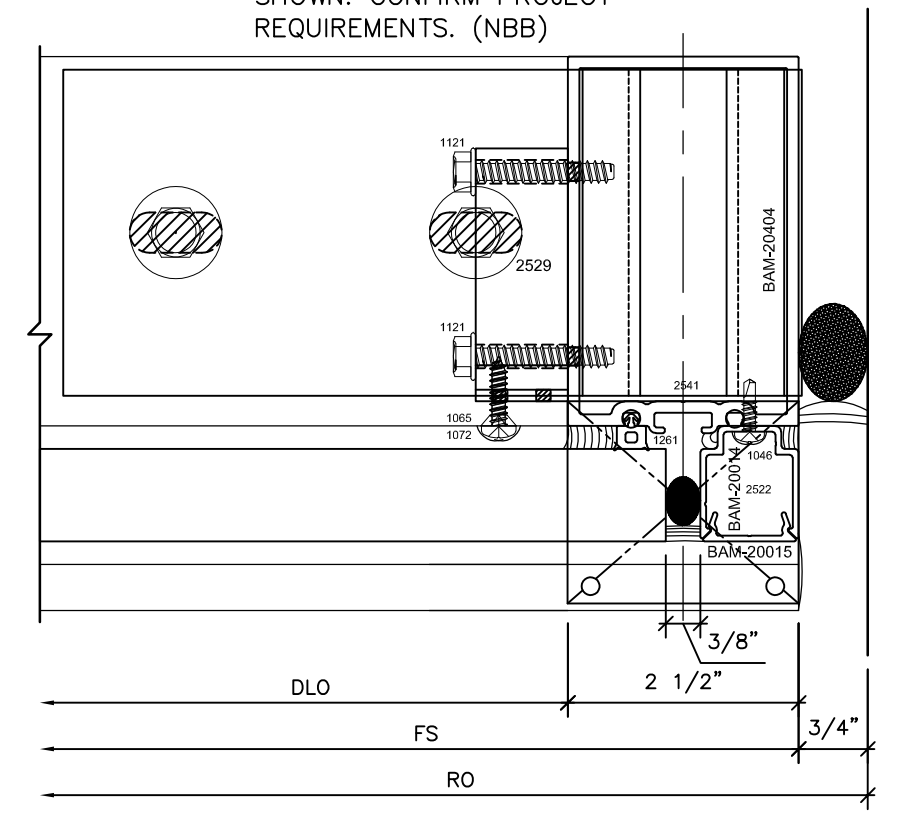
4 JAMB SSG
 SERIES: B2500 CW
 MISC:

NOTE: EXAMPLE ANCHORS SHOWN. CONFIRM PROJECT REQUIREMENTS. (NBB)

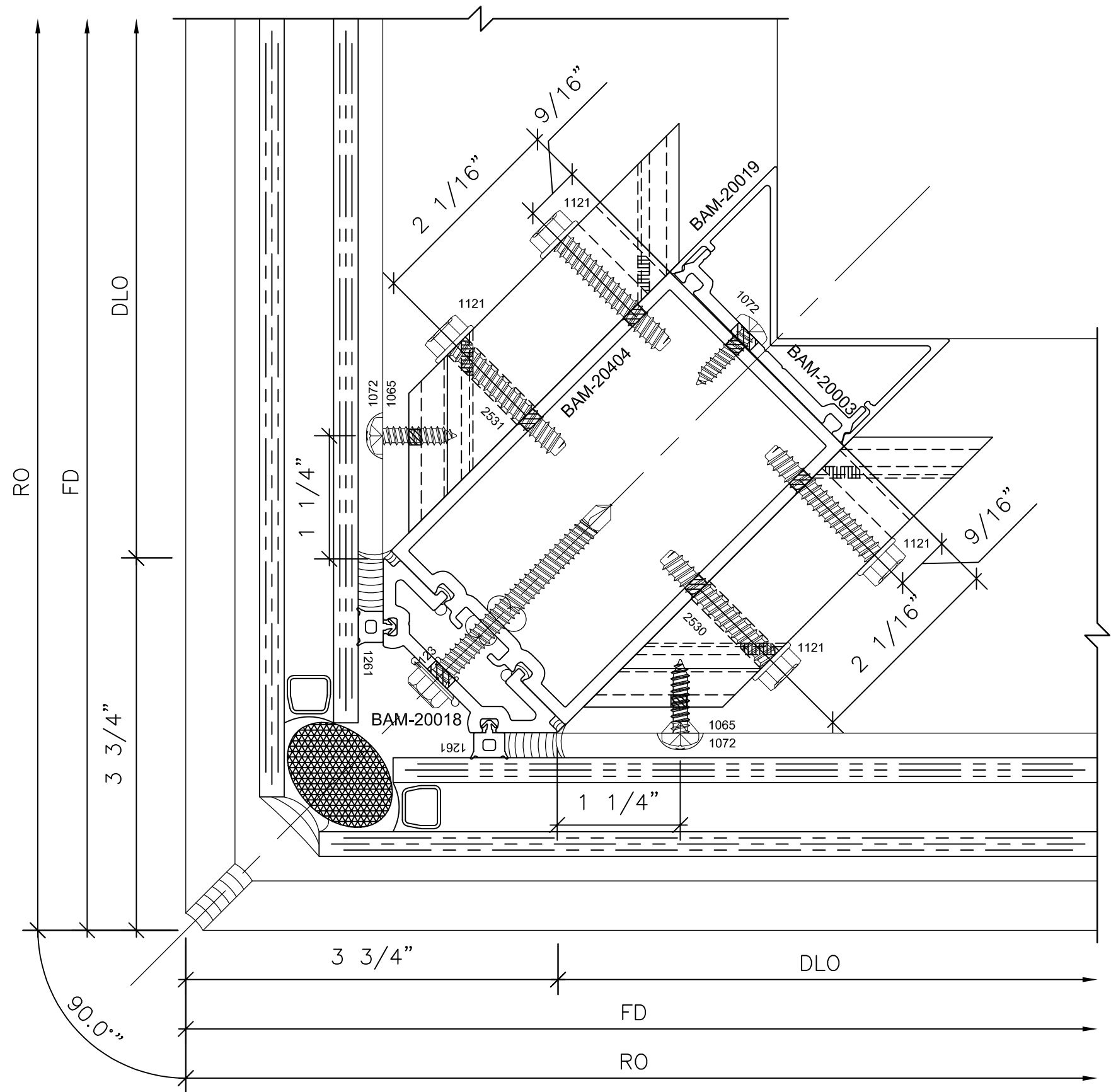


5 MULL SSG
 SERIES: B2500 CW
 MISC:

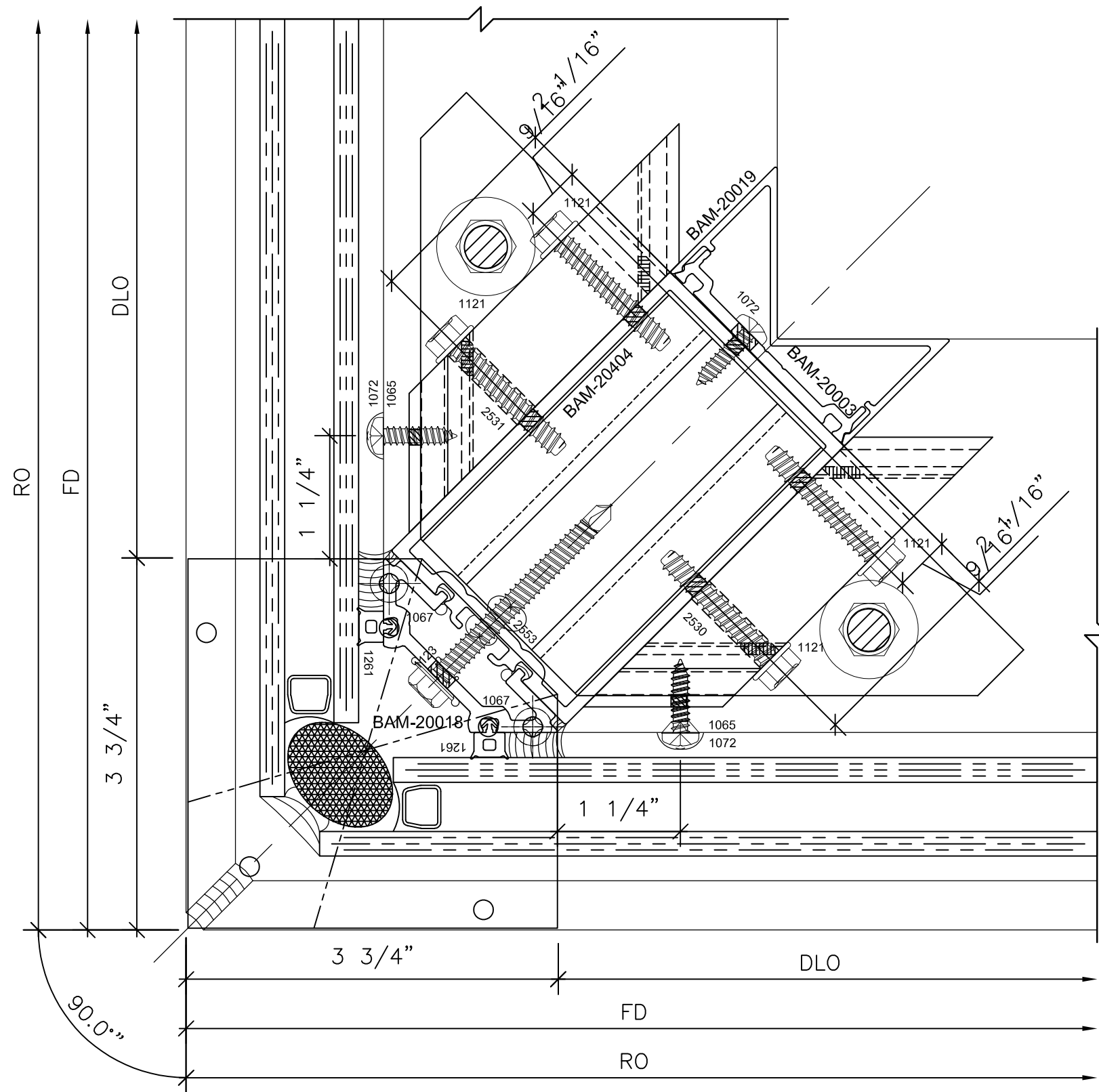
NOTE: EXAMPLE ANCHORS SHOWN. CONFIRM PROJECT REQUIREMENTS. (NBB)



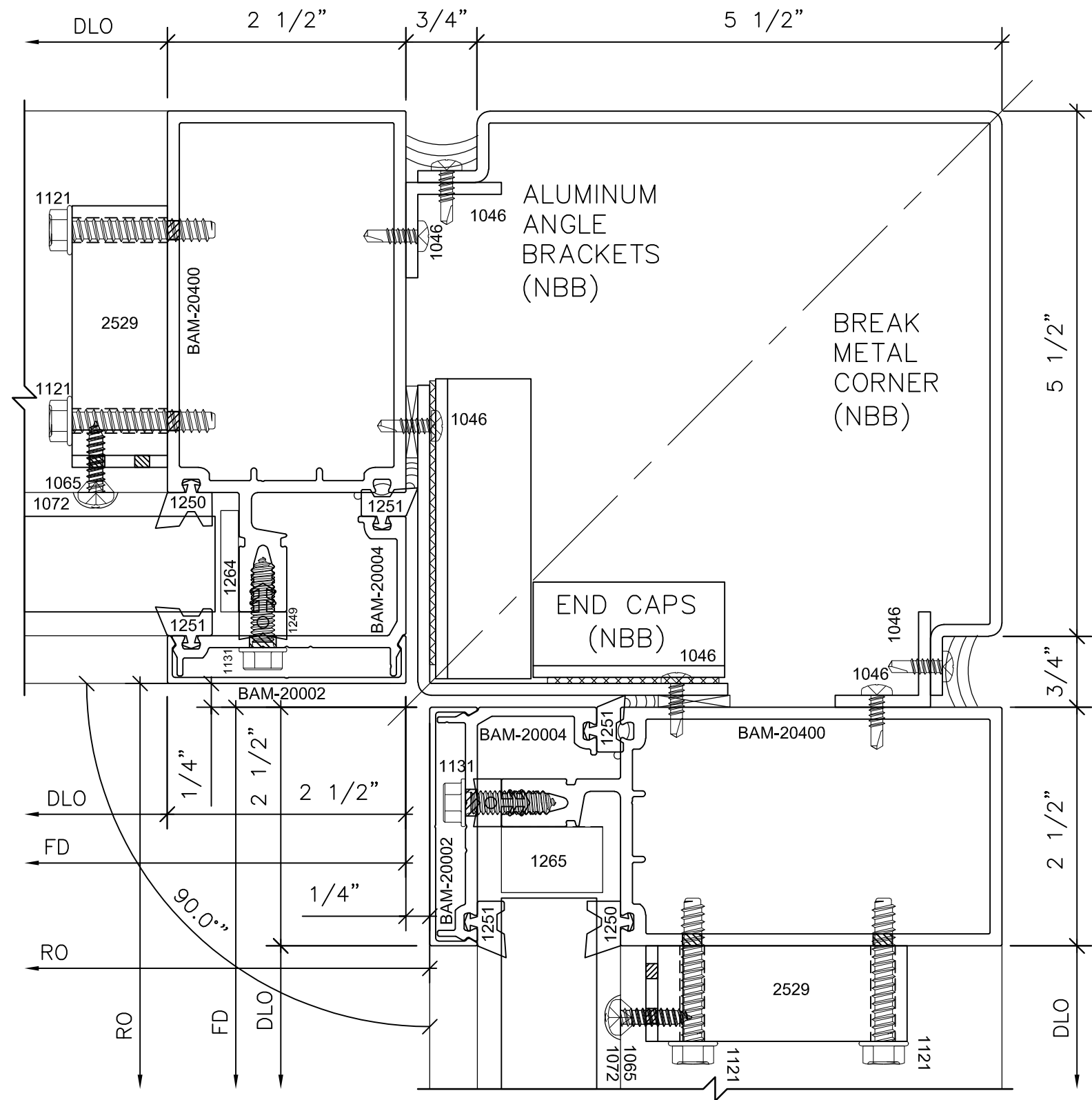
6 JAMB SSG
 SERIES: B2500 CW
 MISC:



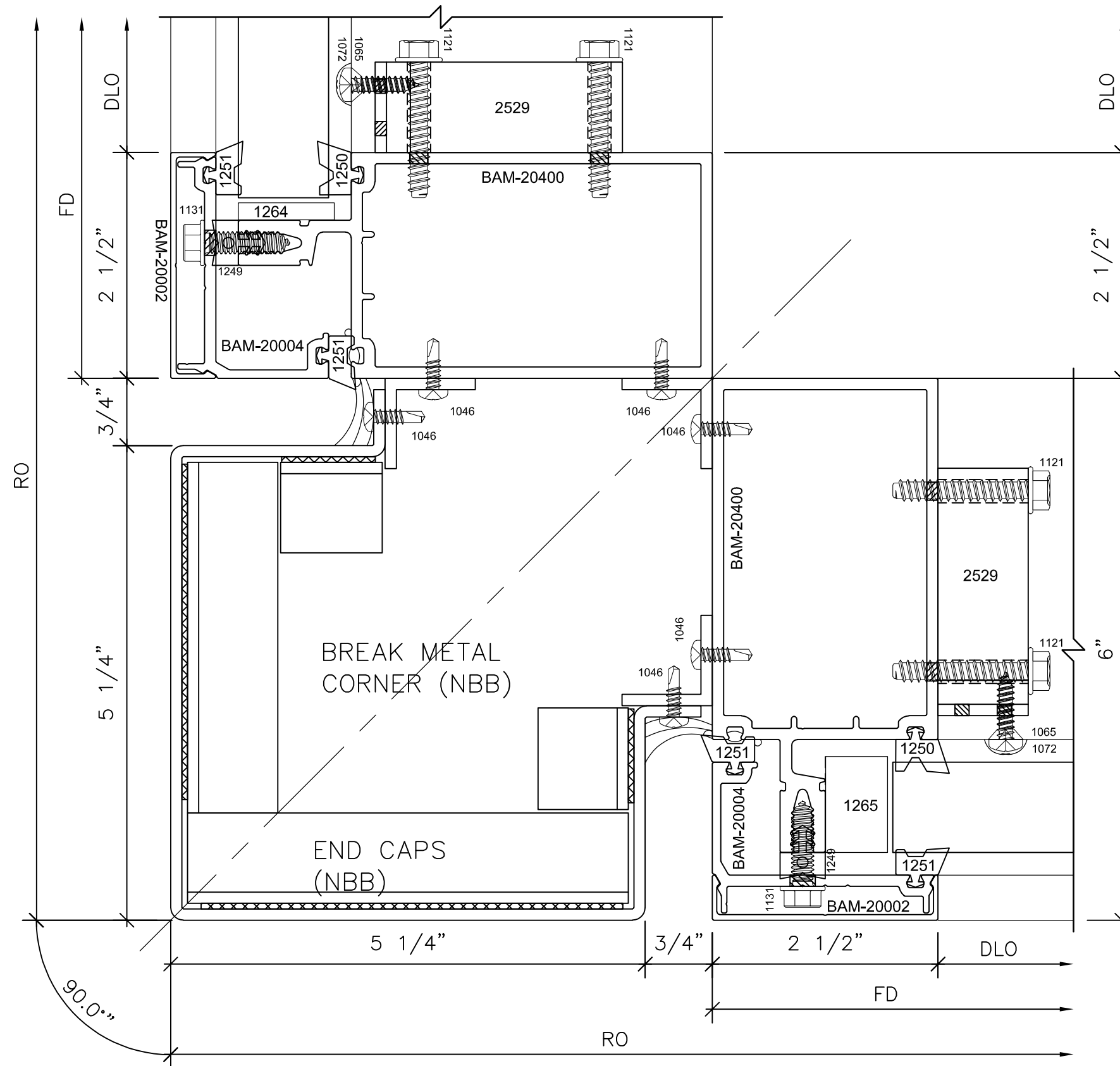
5 CORNER MULL
 SERIES: B2500 CW
 MISC: SSG



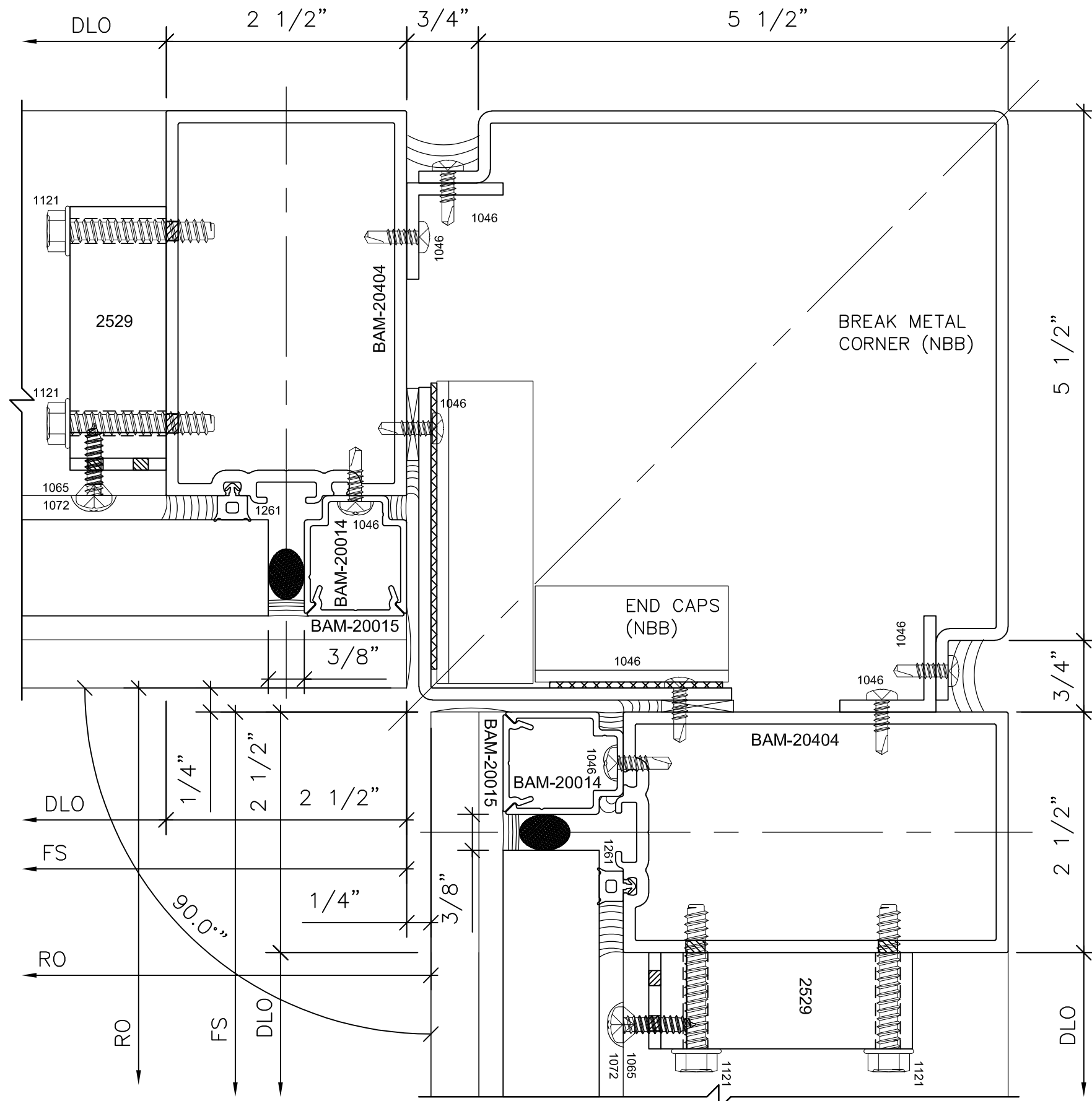
4 CORNER MULL
 SERIES: B2500 CW
 MISC: SSG



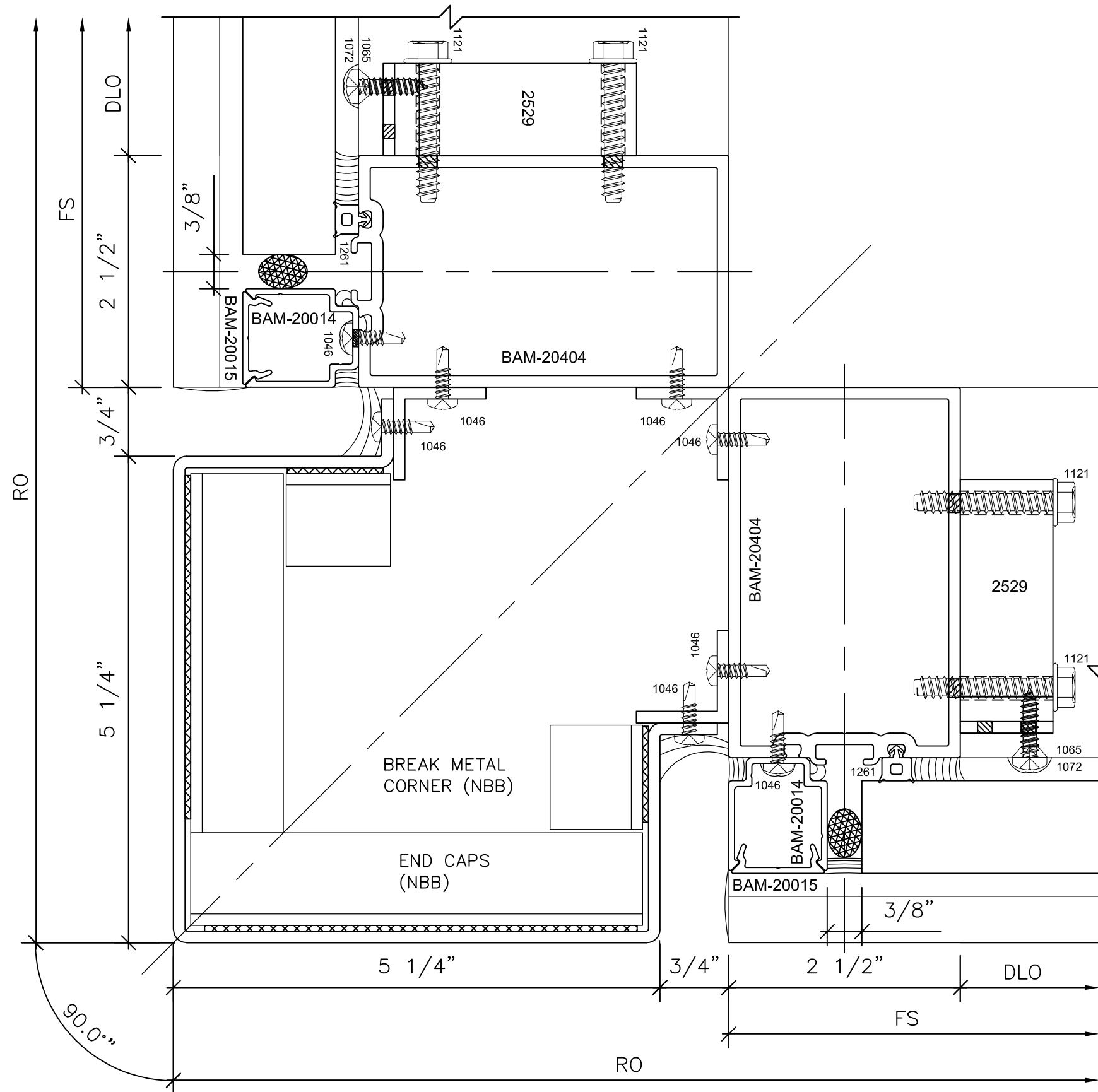
6 CORNER MULL
 SERIES: B2500 CW
 MISC:



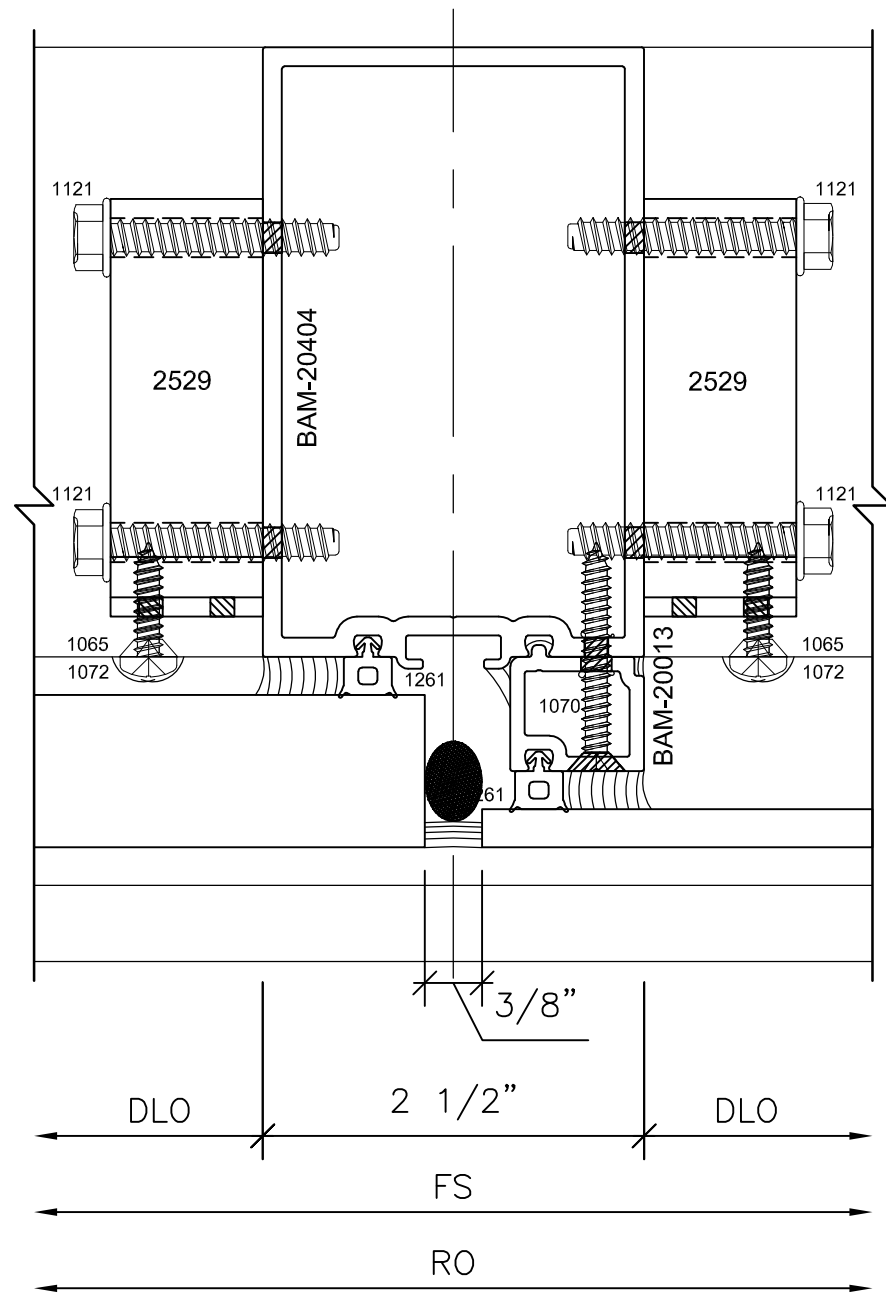
7 CORNER MULL
 SERIES: B2500 CW
 MISC:



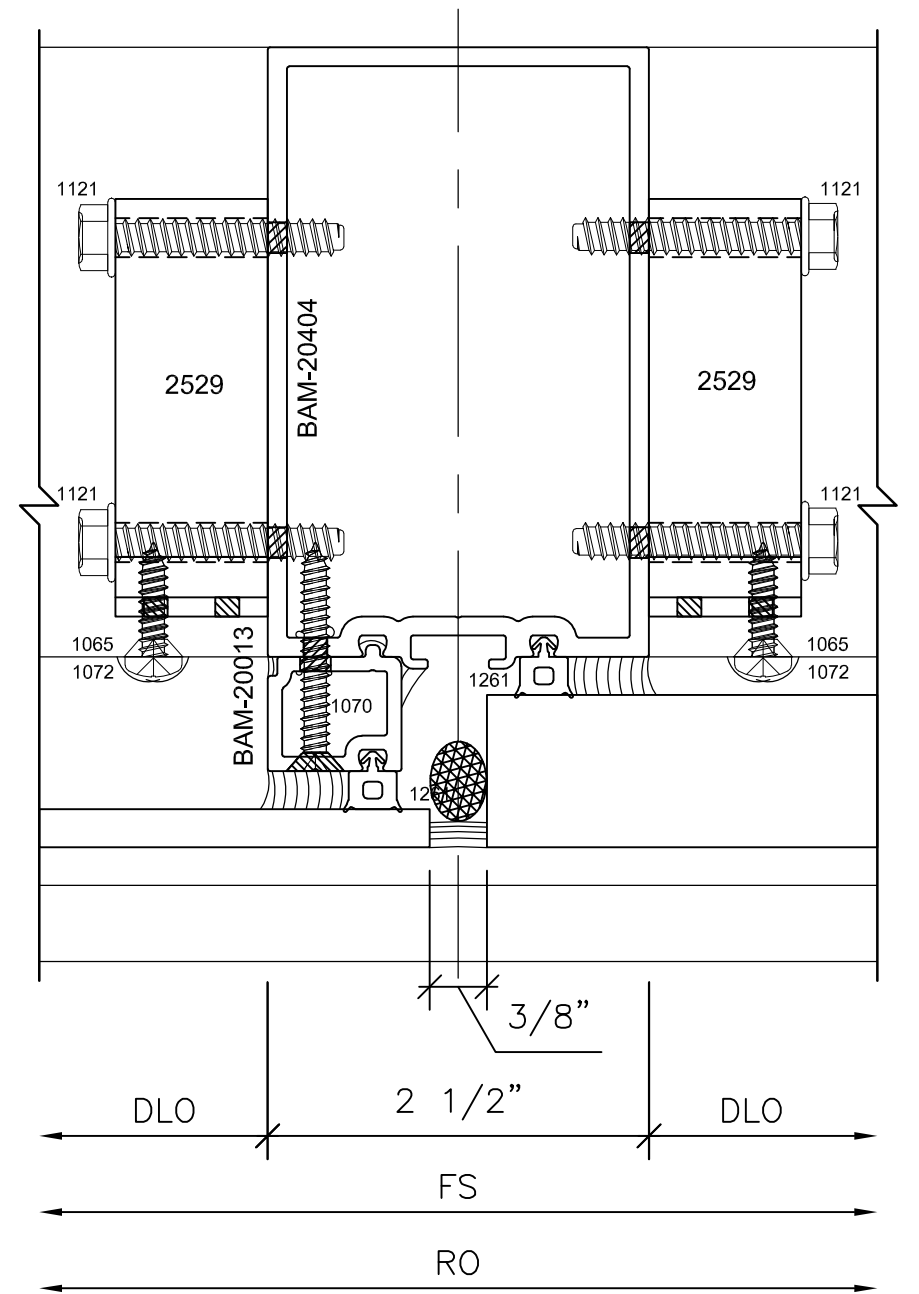
7 CORNER MULL
 SERIES: B2500 CW
 MISC: SSG



6 CORNER MULL
 SERIES: B2500 CW
 MISC: SSG



4 MULL SSG
 SERIES: B2500 CW
 MISC: 1/4" SPANDREL ADAPTOR



5 MULL SSG
 SERIES: B2500 CW
 MISC: 1/4" SPANDREL ADAPTOR