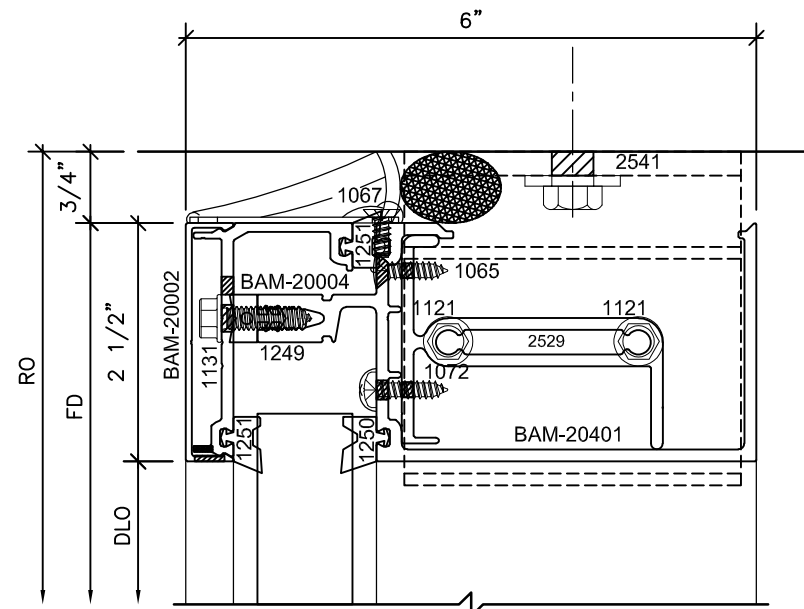
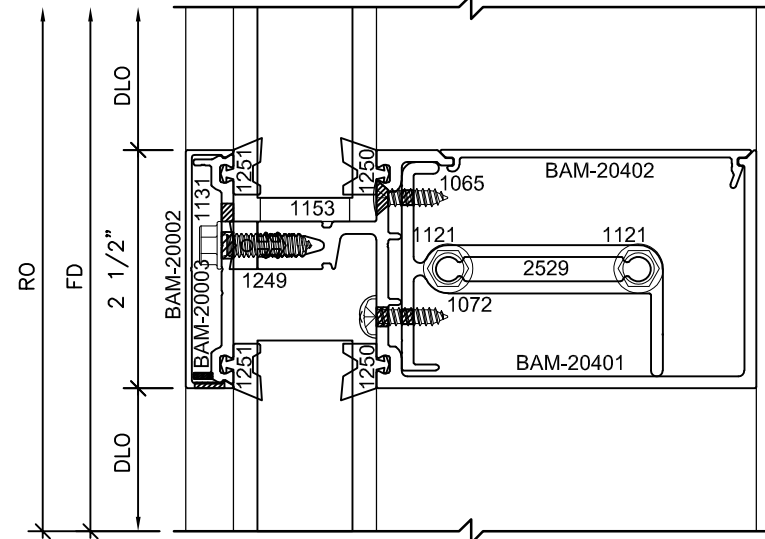


1 HEAD
 SERIES: B2500 CW
 MISC:

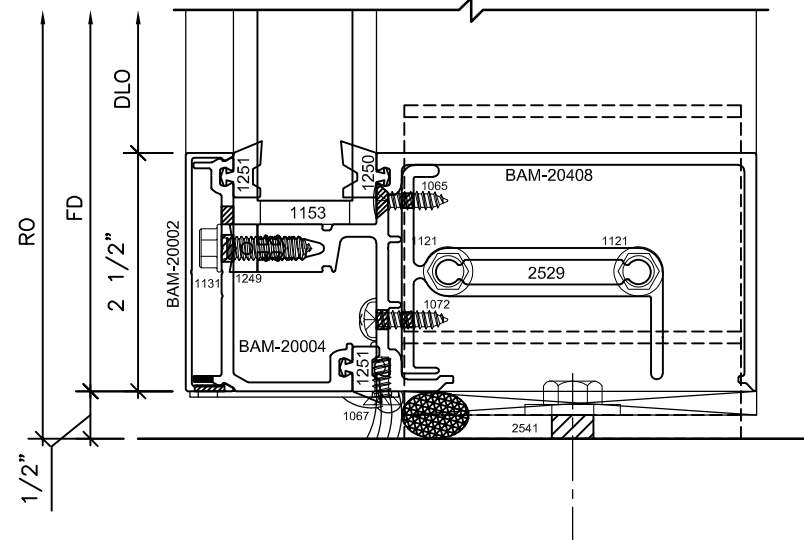


NOTE: EXAMPLE ANCHORS SHOWN.
 CONFIRM PROJECT REQUIREMENTS.
 (NBB)

2 HORIZ
 SERIES: B2500 CW
 MISC:

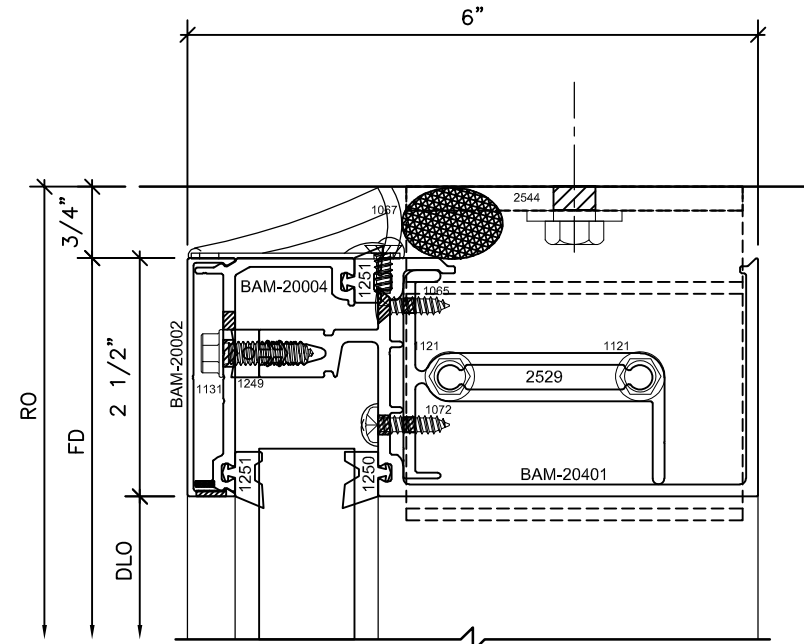


3 SILL
 SERIES: B2500 CW
 MISC:



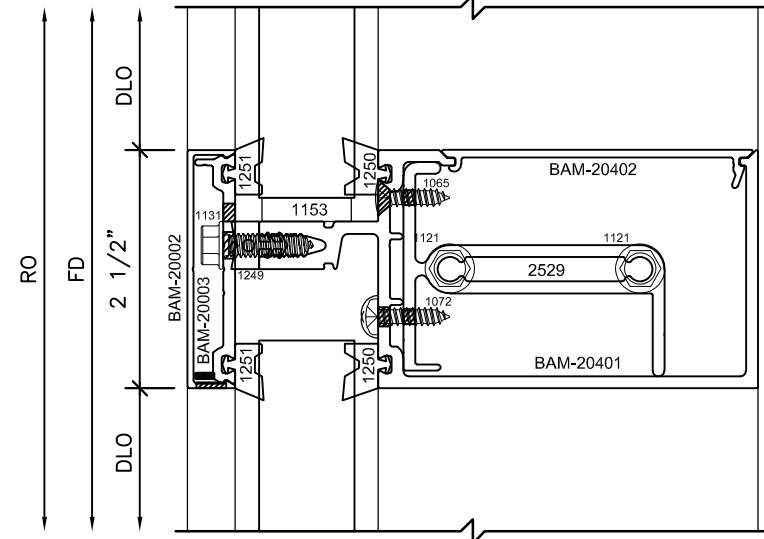
NOTE: EXAMPLE ANCHORS SHOWN.
 CONFIRM PROJECT REQUIREMENTS.
 (NBB)

1 HEAD
 SERIES: B2500 CW
 MISC:

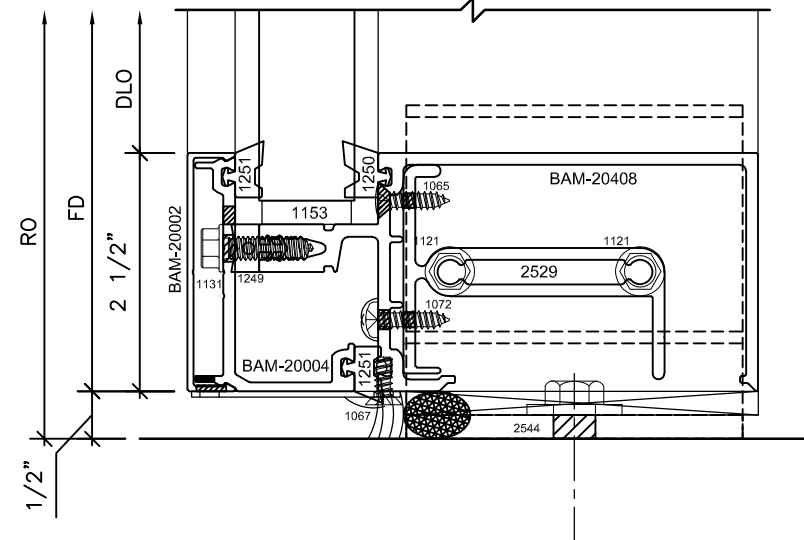


NOTE: EXAMPLE ANCHORS SHOWN.
 CONFIRM PROJECT REQUIREMENTS.
 (NBB)

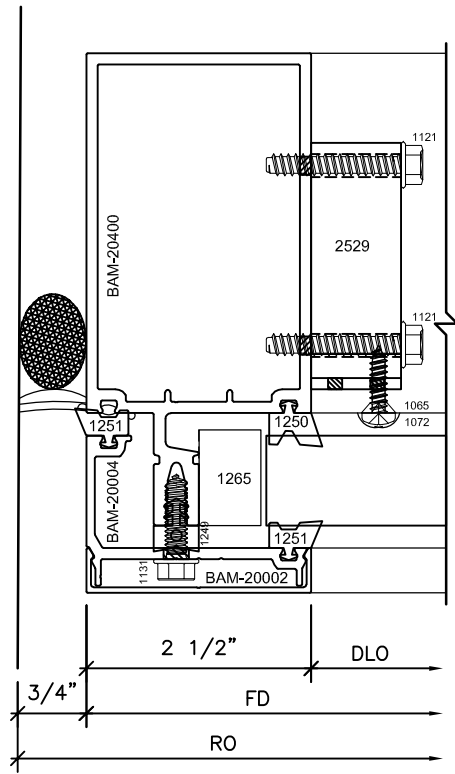
2 HORIZ
 SERIES: B2500 CW
 MISC:



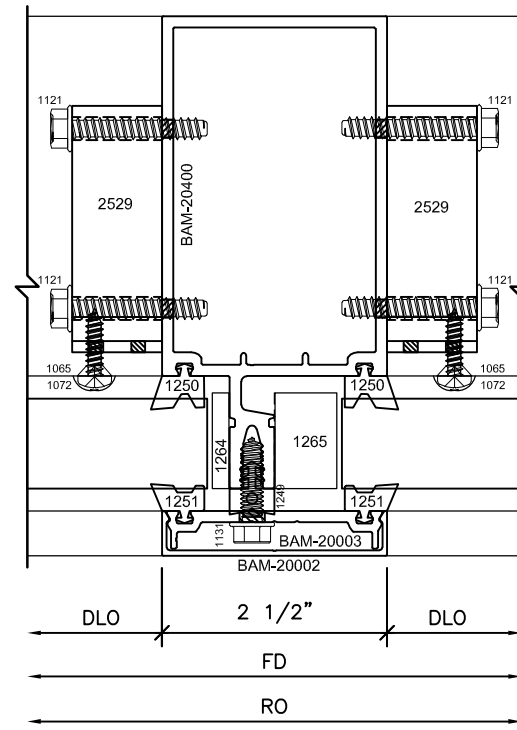
3 SILL
 SERIES: B2500 CW
 MISC:



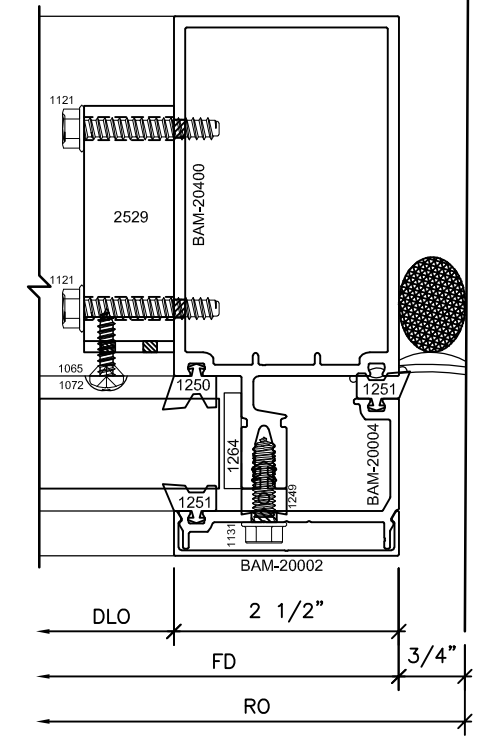
NOTE: EXAMPLE ANCHORS SHOWN.
 CONFIRM PROJECT REQUIREMENTS.
 (NBB)



4 JAMB
 SERIES: B2500 CW
 MISC:

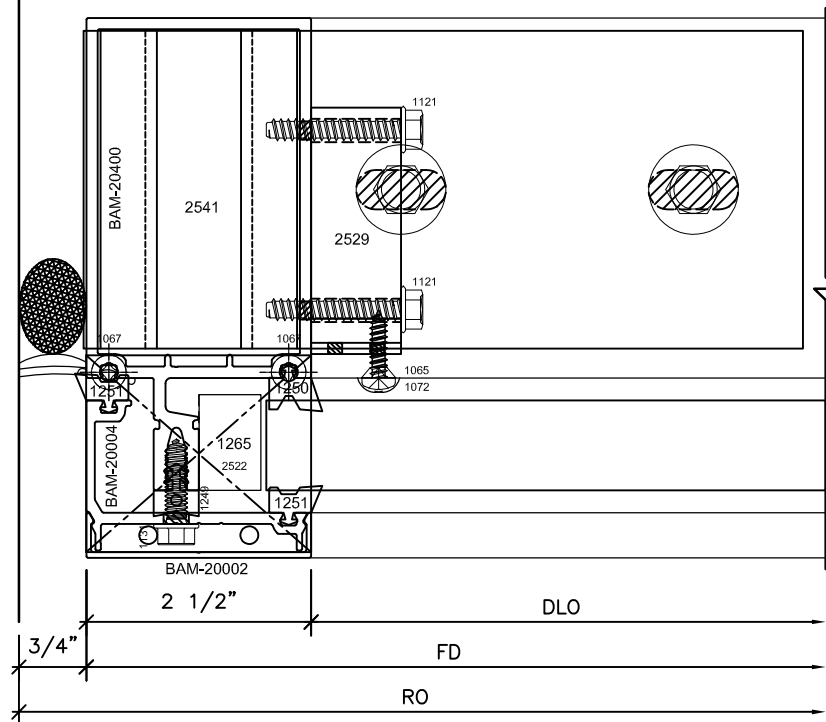


5 MULL
 SERIES: B2500 CW
 MISC:



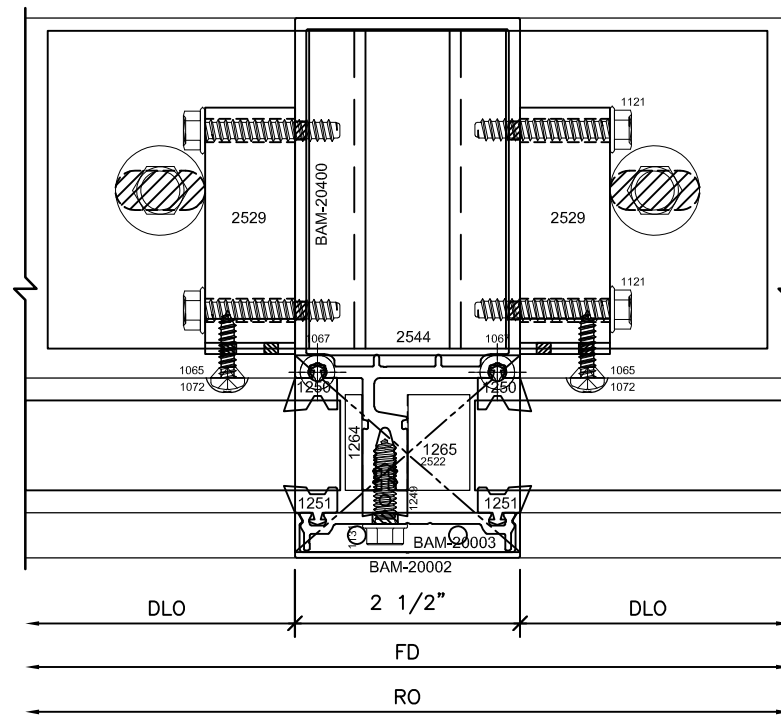
6 JAMB
 SERIES: B2500 CW
 MISC:

NOTE: EXAMPLE ANCHORS SHOWN. CONFIRM PROJECT REQUIREMENTS. (NBB)



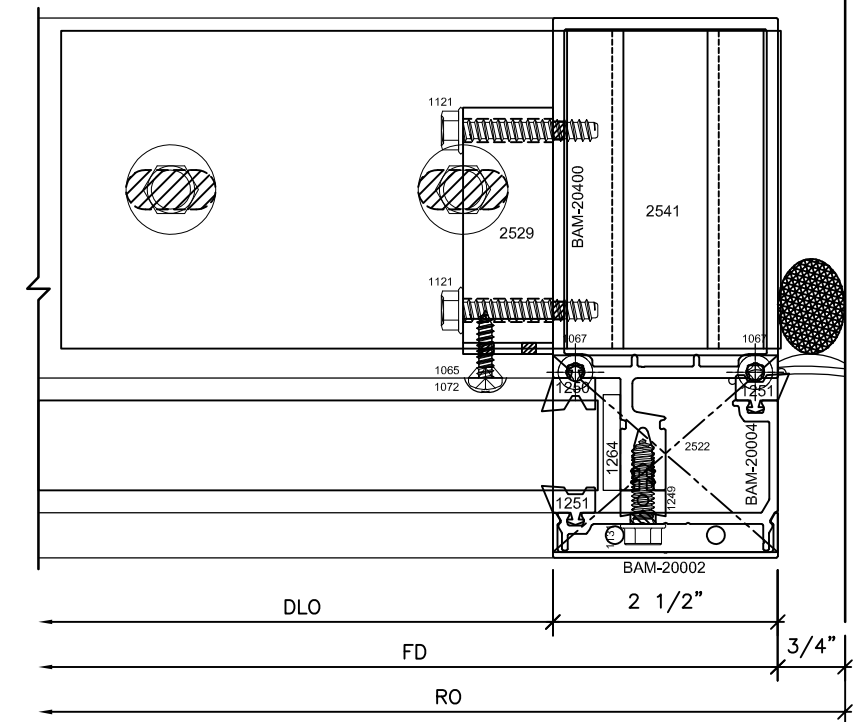
4 JAMB
 SERIES: B2500 CW
 MISC:

NOTE: EXAMPLE ANCHORS SHOWN. CONFIRM PROJECT REQUIREMENTS. (NBB)



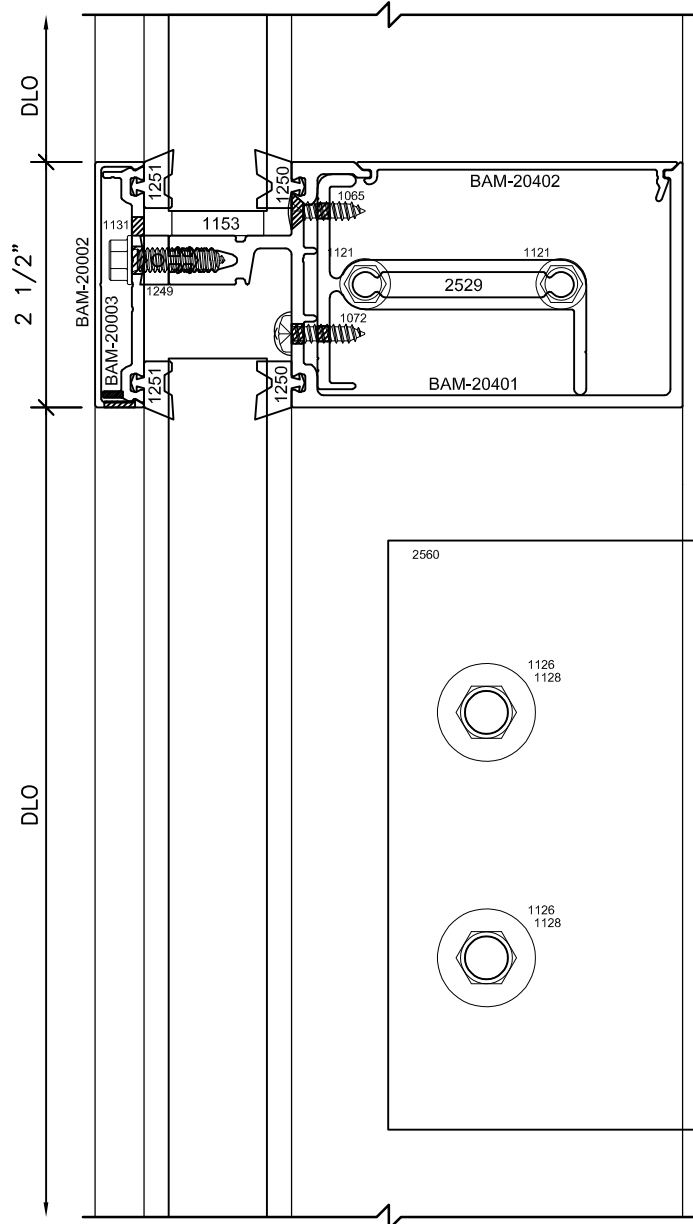
5 MULL
 SERIES: B2500 CW
 MISC:

NOTE: EXAMPLE ANCHORS SHOWN. CONFIRM PROJECT REQUIREMENTS. (NBB)



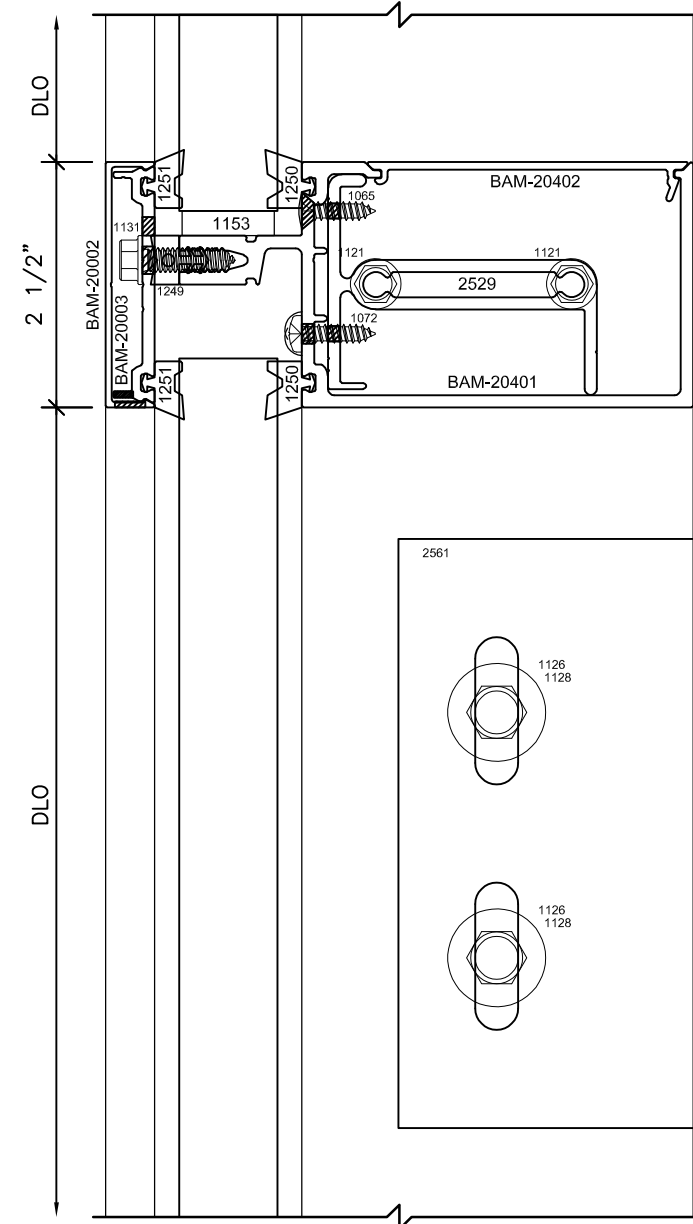
6 JAMB
 SERIES: B2500 CW
 MISC:

1 HORIZ
SERIES: B2500 CW
MISC:



2 DEAD LOAD
ANCHOR
SERIES: B2500 CW
MISC:

1 HORIZ
SERIES: B2500 CW
MISC:

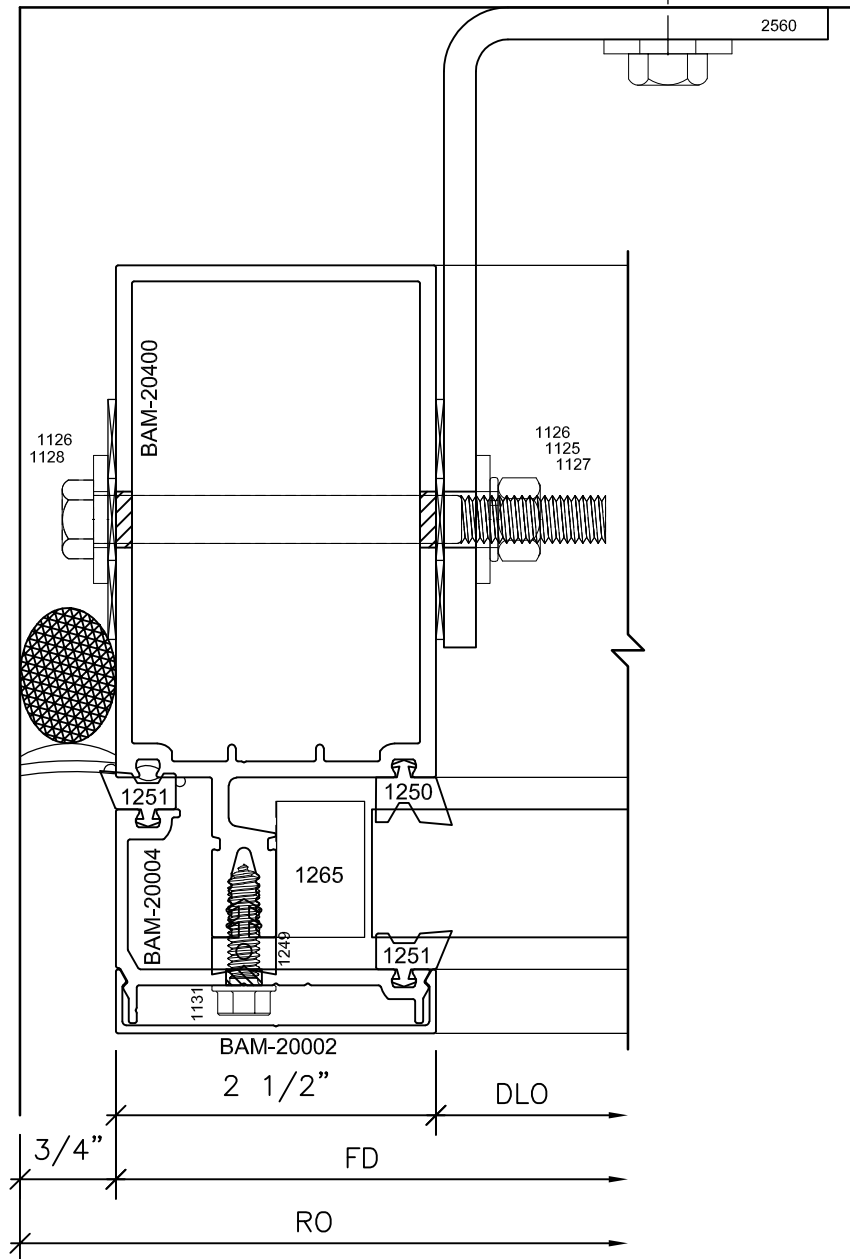


3 WIND LOAD
ANCHOR
SERIES: B2500 CW
MISC:

NOTE: EXAMPLE
ANCHORS SHOWN.
CONFIRM PROJECT
REQUIREMENTS.
(NBB)

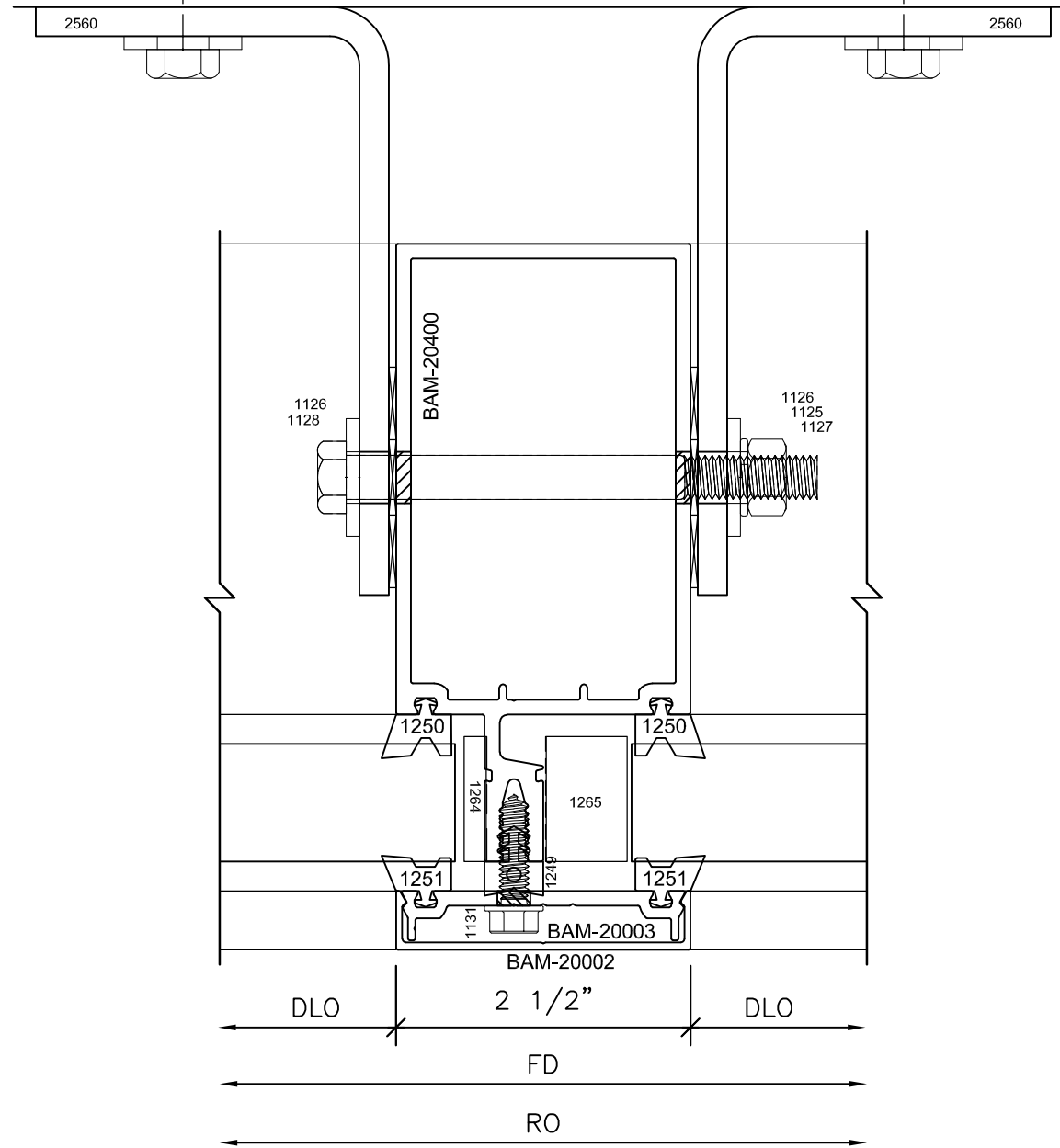
NOTE: EXAMPLE
ANCHORS SHOWN.
CONFIRM PROJECT
REQUIREMENTS.
(NBB)

NOTE: EXAMPLE
ANCHORS SHOWN.
CONFIRM PROJECT
REQUIREMENTS.
(NBB)



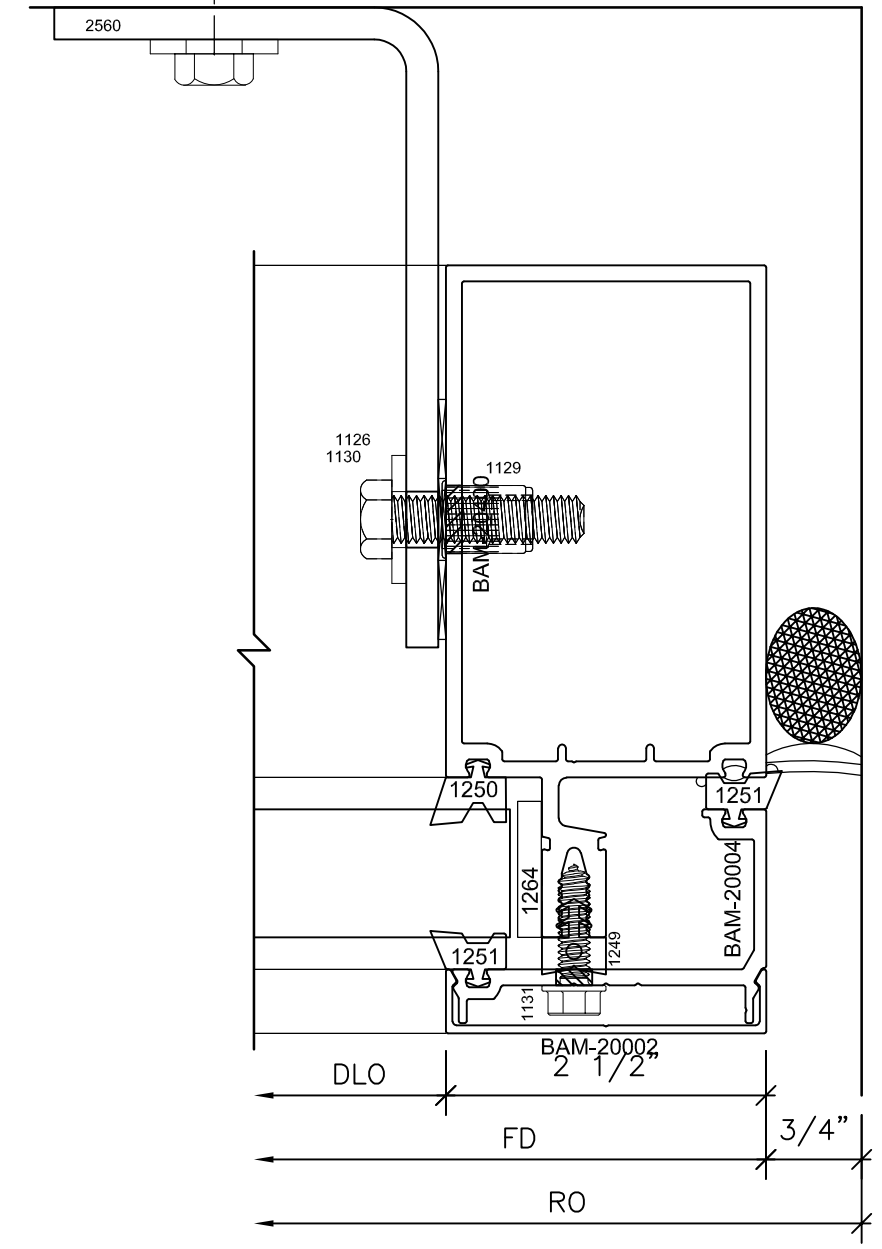
4 JAMB
SERIES: B2500 CW
MISC:

NOTE: EXAMPLE
ANCHORS SHOWN.
CONFIRM PROJECT
REQUIREMENTS.
(NBB)

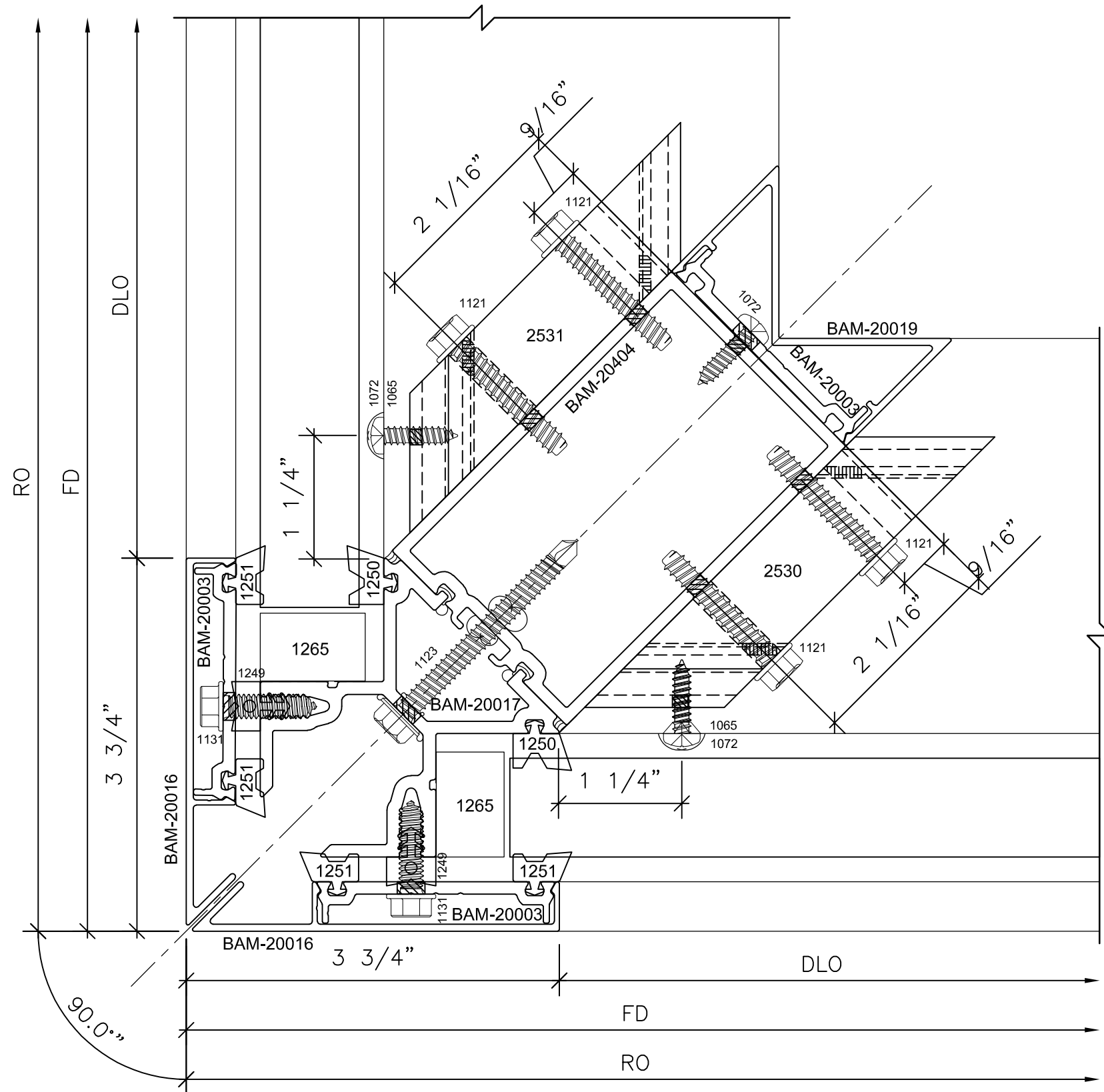


5 MULL
SERIES: B2500 CW
MISC:

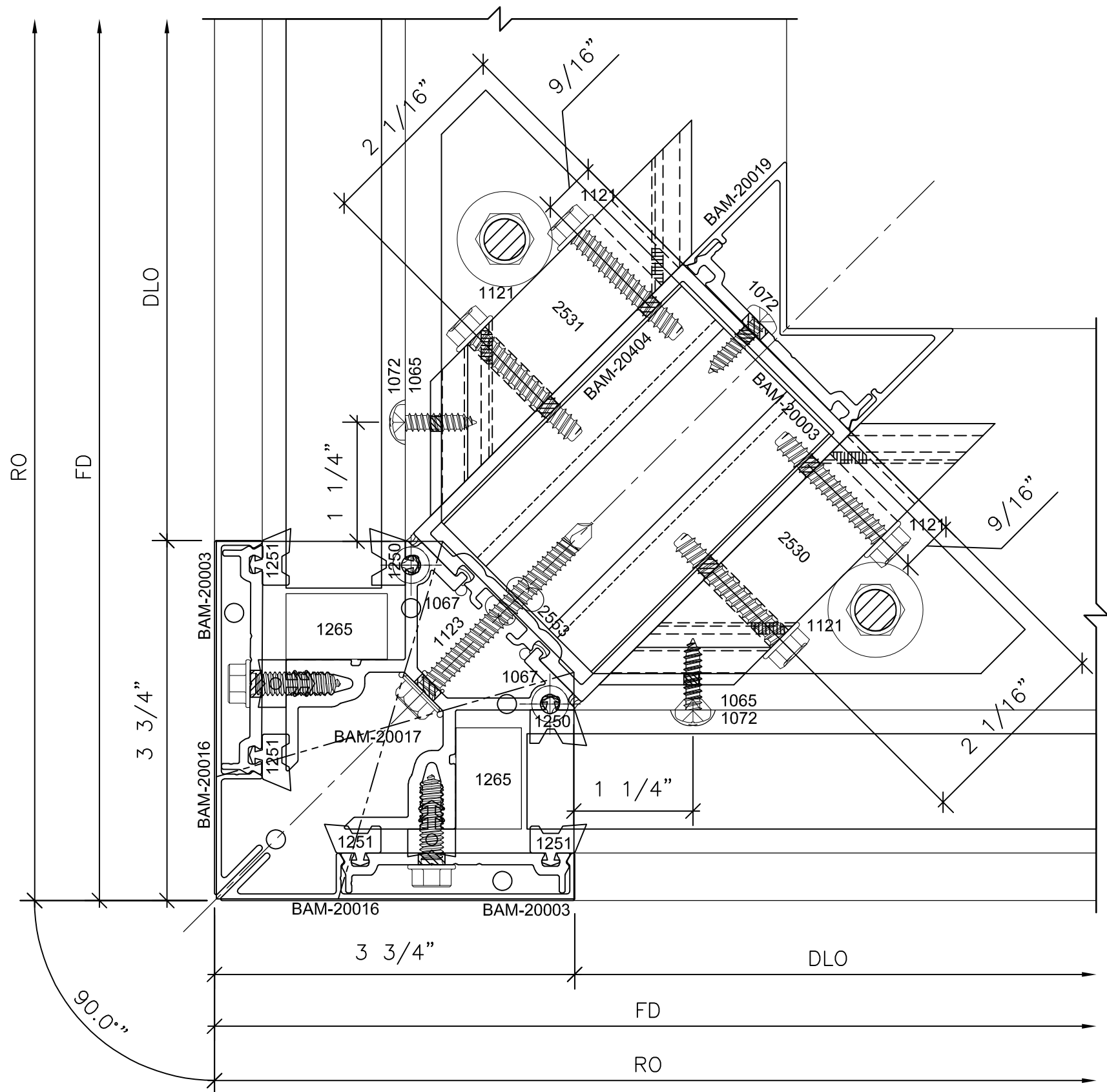
NOTE: EXAMPLE
ANCHORS SHOWN.
CONFIRM PROJECT
REQUIREMENTS.
(NBB)



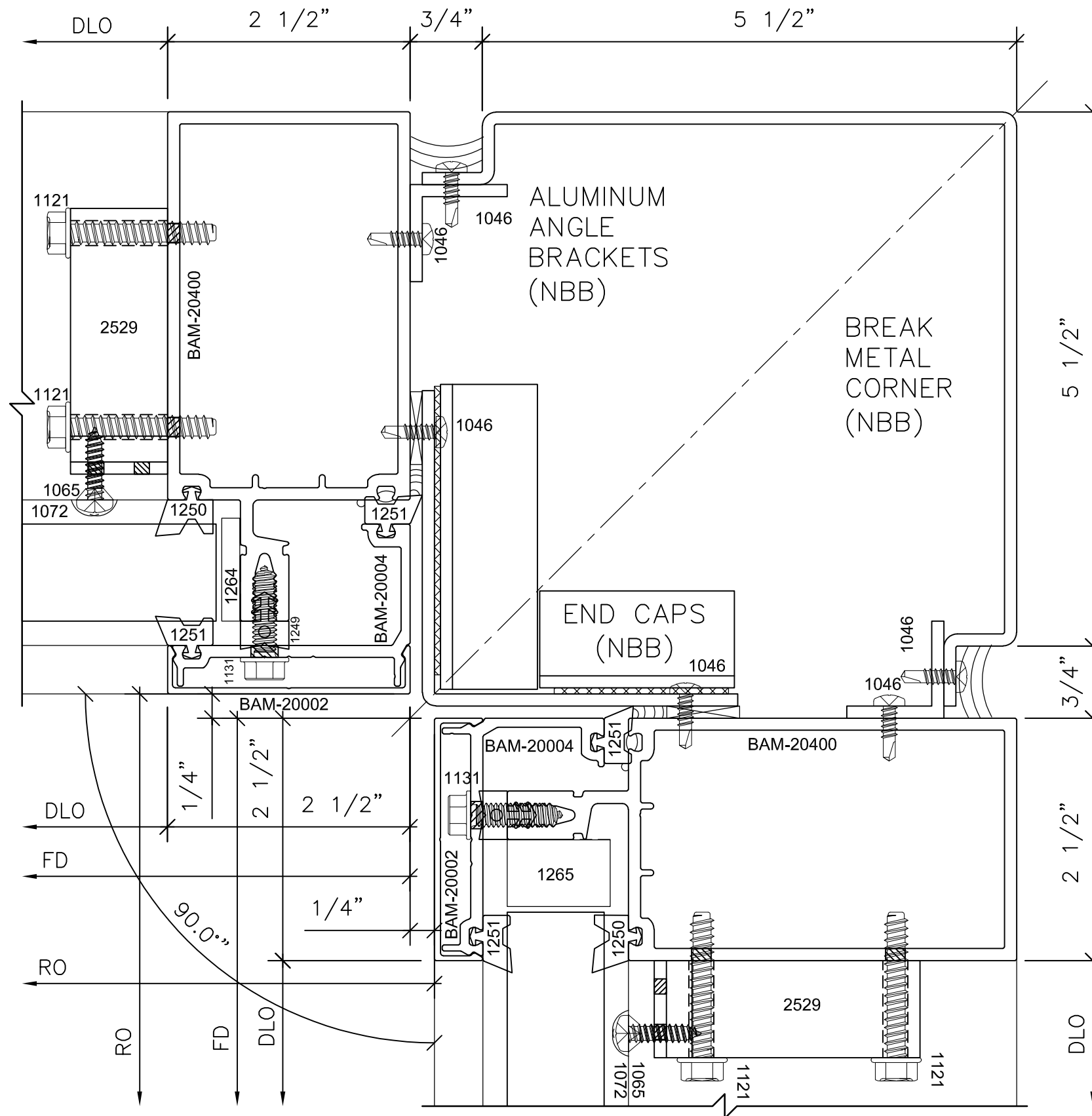
6 JAMB
SERIES: B2500 CW
MISC:



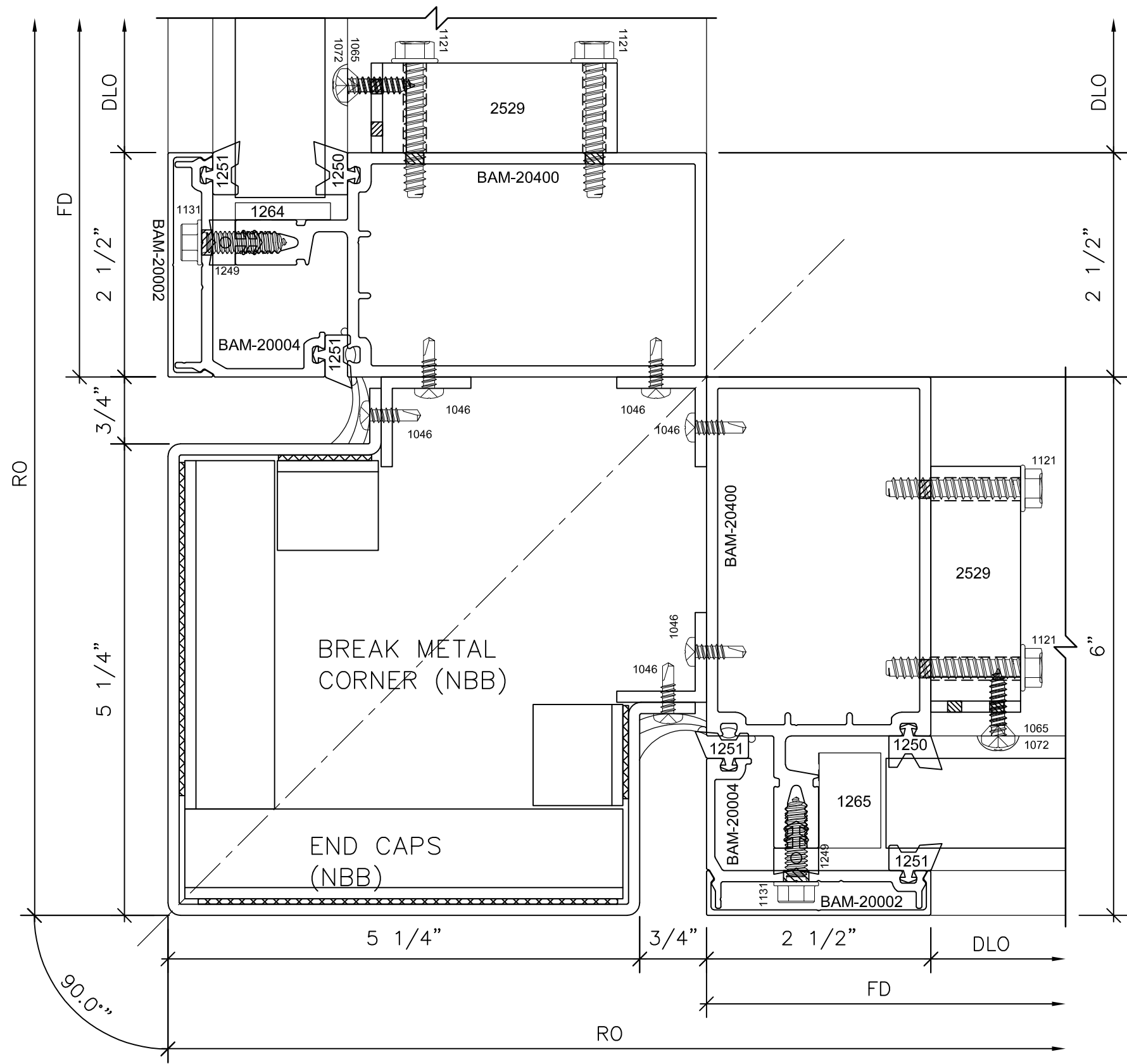
4 CORNER MULL
 SERIES: B2500 CW
 MISC:



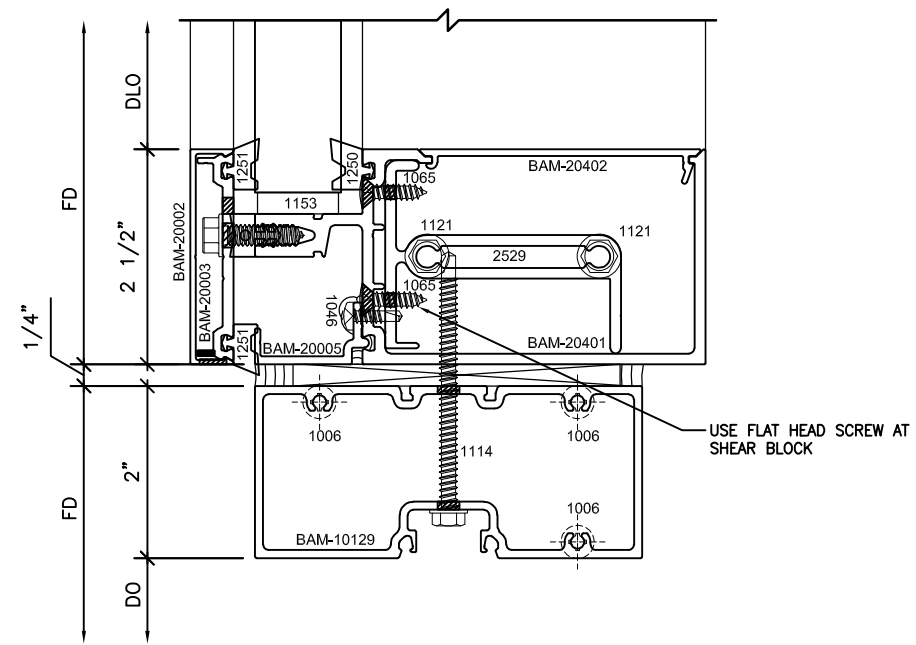
5 CORNER MULL
 SERIES: B2500 CW
 MISC:



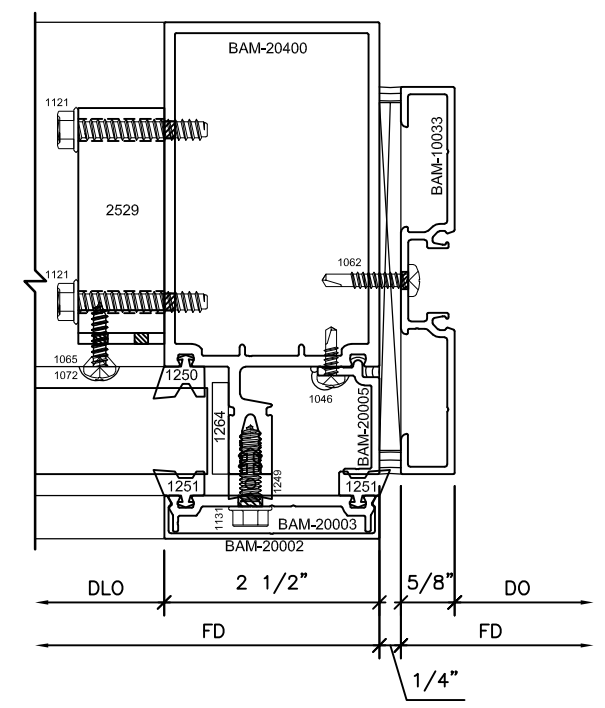
6 CORNER MULL
 SERIES: B2500 CW
 MISC:



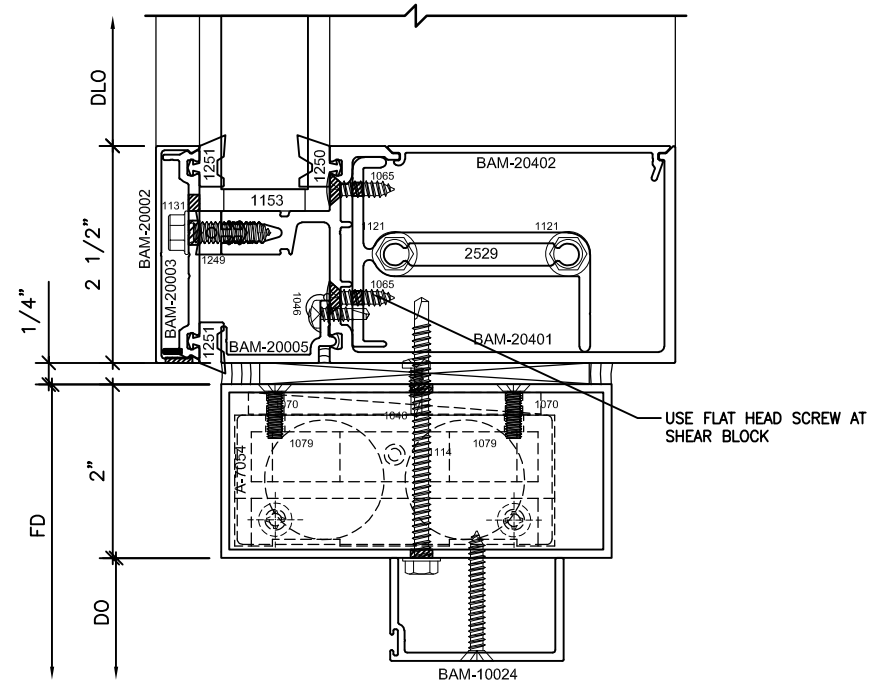
7 CORNER MULL
 SERIES: B2500 CW
 MISC:



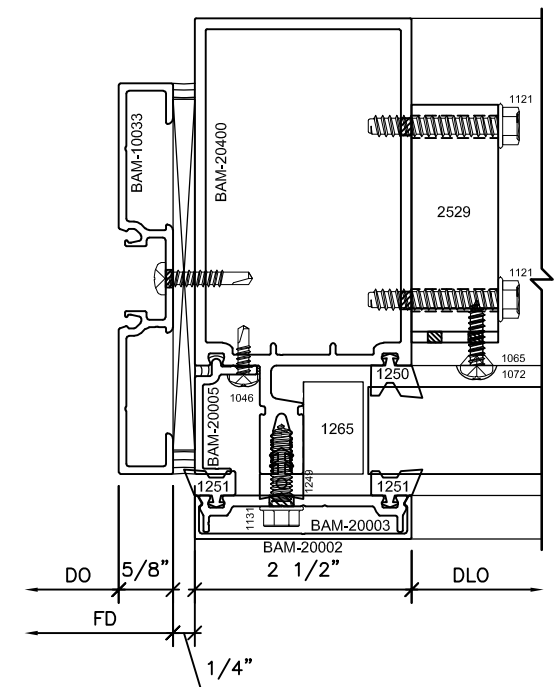
2 **HORZ**
 SERIES: B2500 CW
 MISC: DOOR HEAD



8 **MULL**
 SERIES: B2500 CW
 MISC: DOOR JAMB

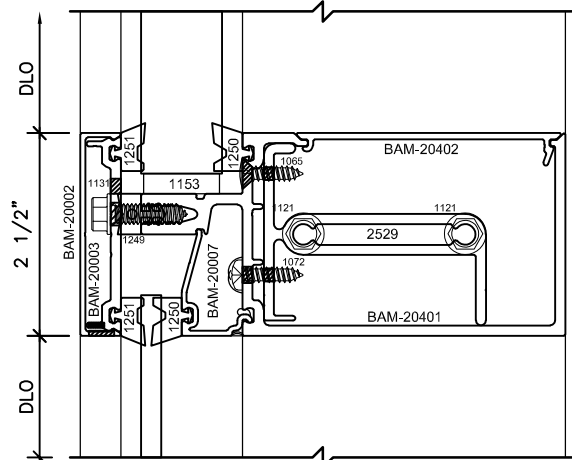


3 **HORZ**
 SERIES: B2500 CW
 MISC: DOOR COC HEAD

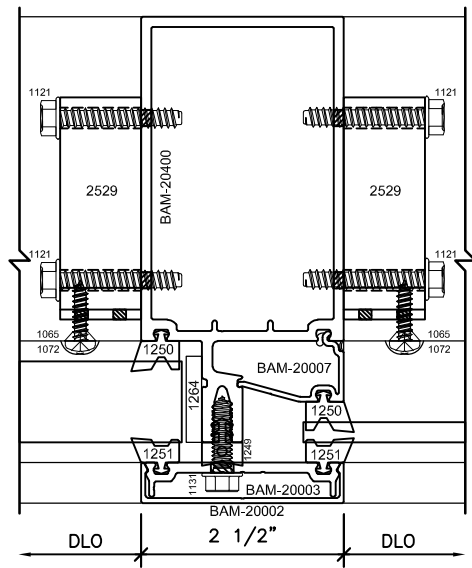
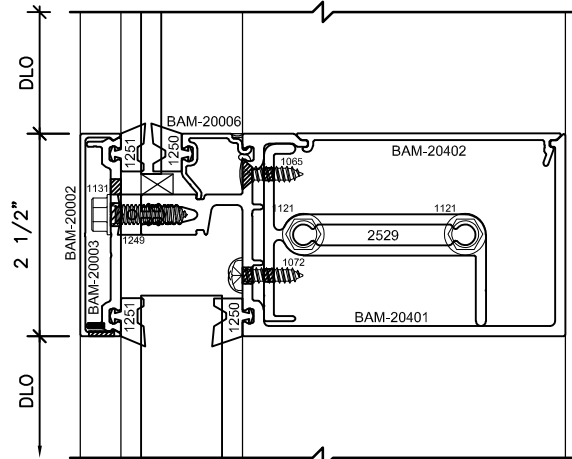


3 **MULL**
 SERIES: B2500 CW
 MISC: DOOR JAMB

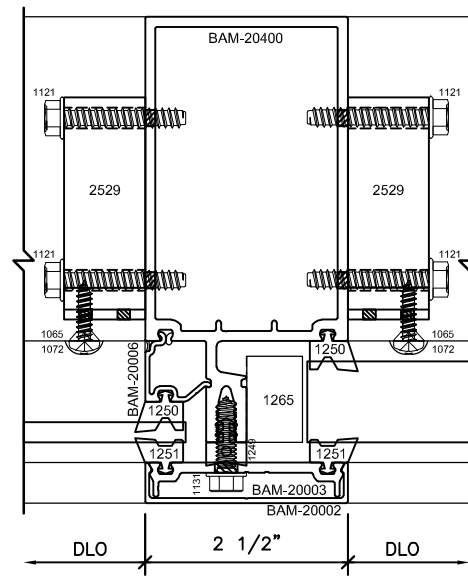
1 **HORZ**
 SERIES: B2500 CW
 MISC: 1/4" SPANDREL ADAPTOR



2 **HORZ**
 SERIES: B2500 CW
 MISC: 1/4" SPANDREL ADAPTOR



4 **MULL**
 SERIES: B2500 CW
 MISC: 1/4" SPANDREL ADAPTOR



5 **MULL**
 SERIES: B2500 CW
 MISC: 1/4" SPANDREL ADAPTOR