

SERIES 5000

AAMA/WDMA/CSA 101/I.S.2/A440-05

Rating:	AW-130
Air Infiltration:	0.13 cfm/ft at 6.2 psf
Water Resistance:	No Leakage at 15.00 psf
Structural Performance:	195.00 psf
Thermal Break:	Yes
Main Frame Depth:	5 9/16"
Glazing Thickness (Maximum):	1 1/4"

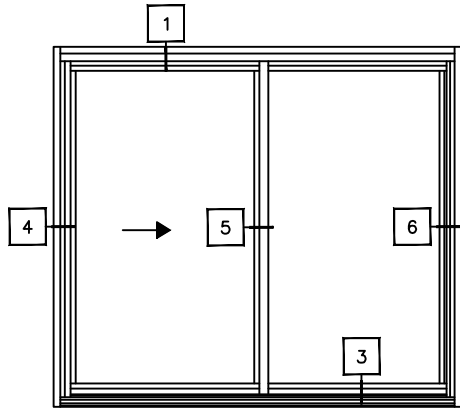
Let's Shine.

800.737.2800 • fax 417.862.1232 • BoydAluminum.com

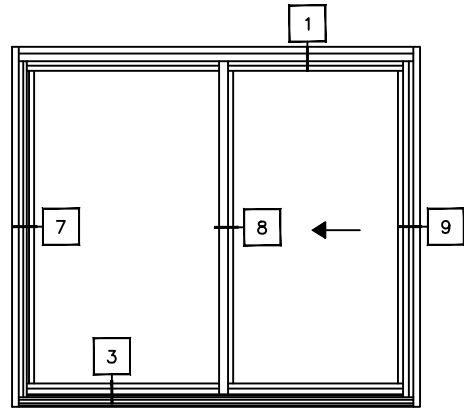
©2011 Boyd Aluminum Manufacturing. The Boyd sunburst and logotype are trademarks of Boyd Aluminum Manufacturing. All rights reserved. Due to continued product research, specifications are subject to change without notice.

K1-1

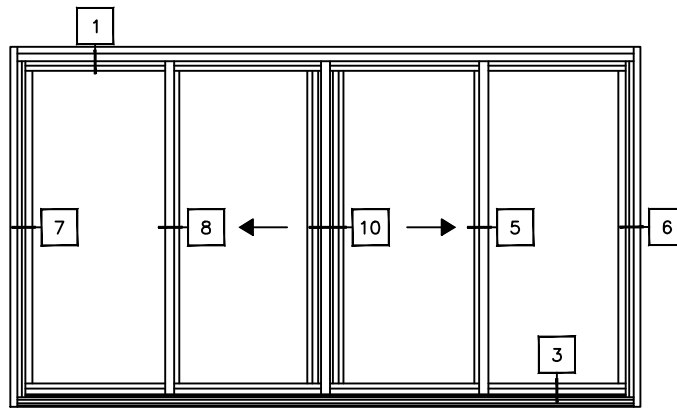
Boyd 2012



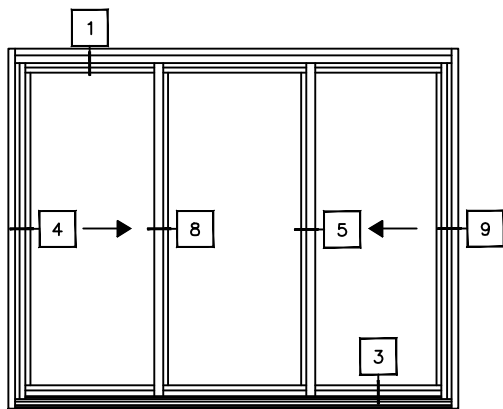
XO



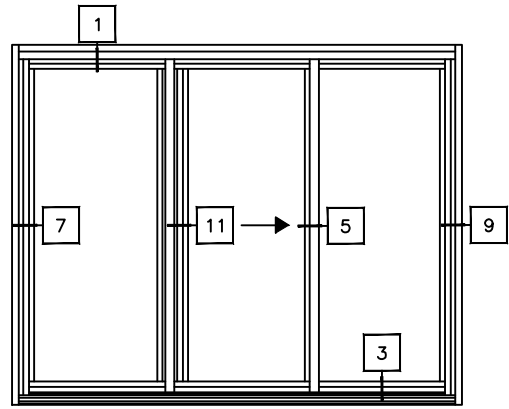
OX



OXXO



XOX



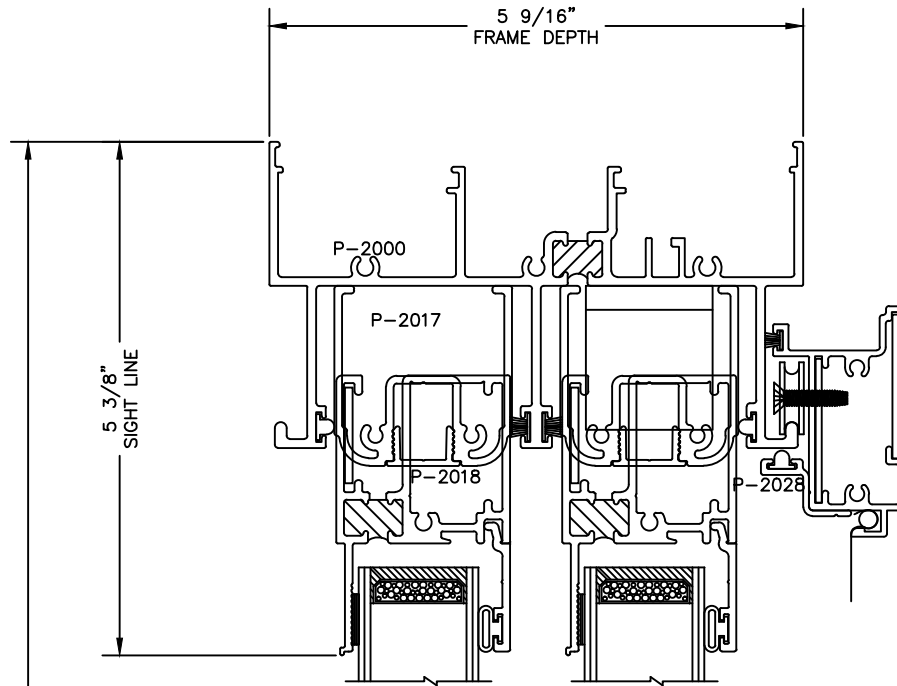
OXO

Let's Shine.

800.737.2800 • fax 417.862.1232 • BoydAluminum.com

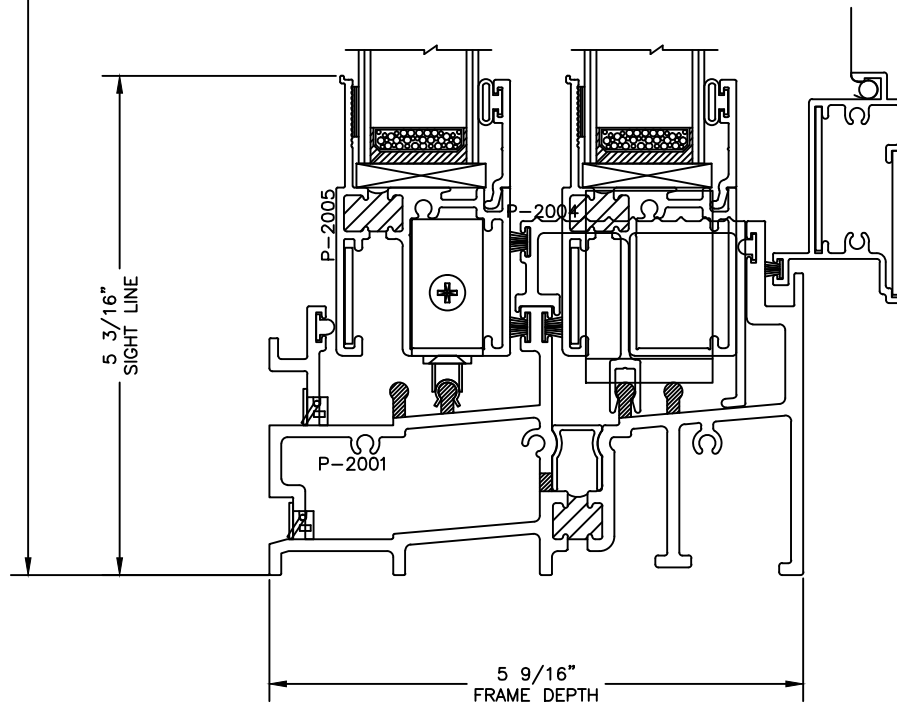
©2011 Boyd Aluminum Manufacturing. The Boyd sunburst and logotype are trademarks of Boyd Aluminum Manufacturing. All rights reserved. Due to continued product research, specifications are subject to change without notice.

1
HEAD



DOOR DIMENSION

2
SILL

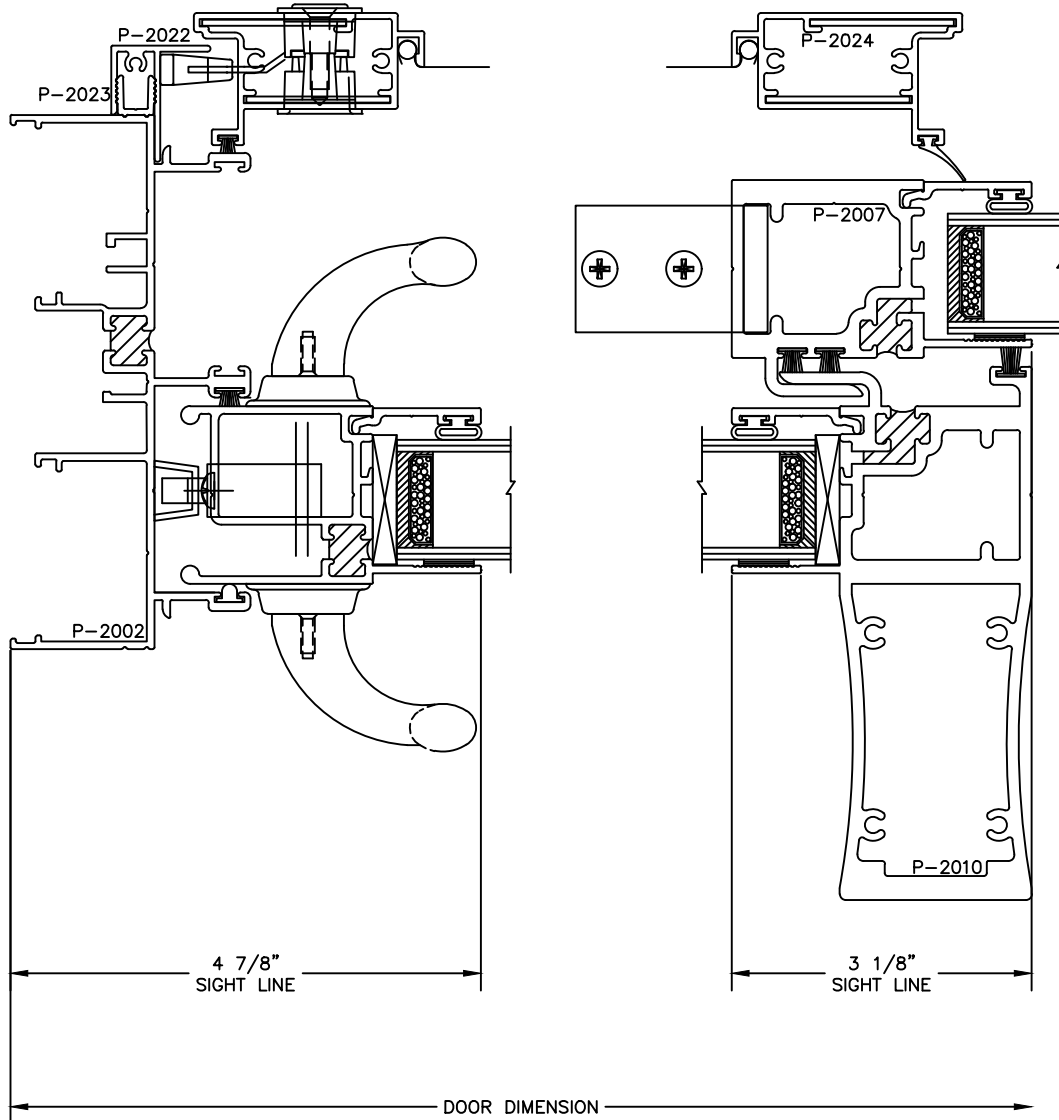


Let's Shine.

800.737.2800 • fax 417.862.1232 • BoydAluminum.com

©2011 Boyd Aluminum Manufacturing. The Boyd sunburst and logotype are trademarks of Boyd Aluminum Manufacturing. All rights reserved. Due to continued product research, specifications are subject to change without notice.

K1-3
Boyd 2012

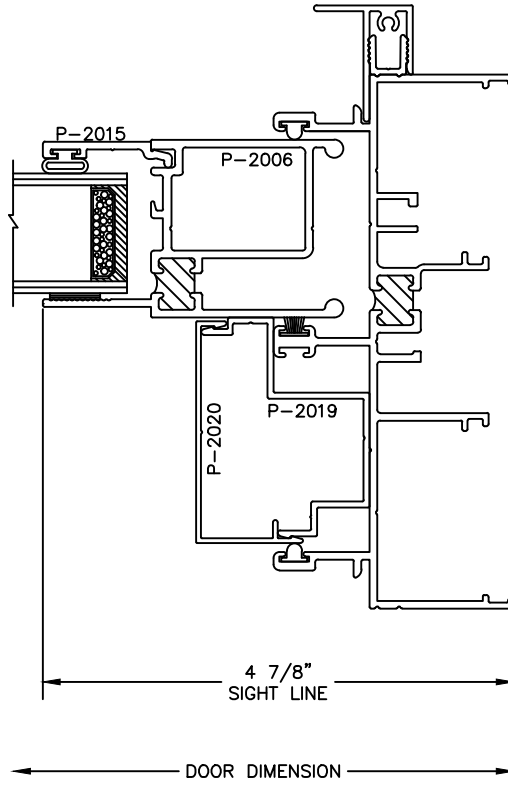


4
OPERABLE JAMB

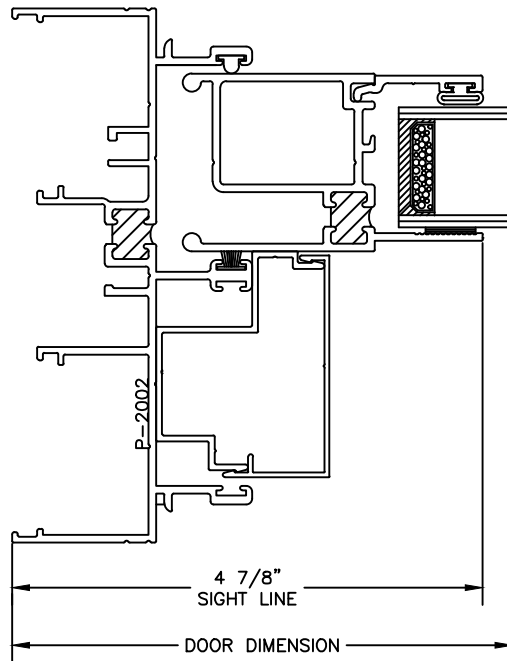
5
MEETING RAIL

Let's Shine.

6
FIXED JAMB



7
FIXED JAMB

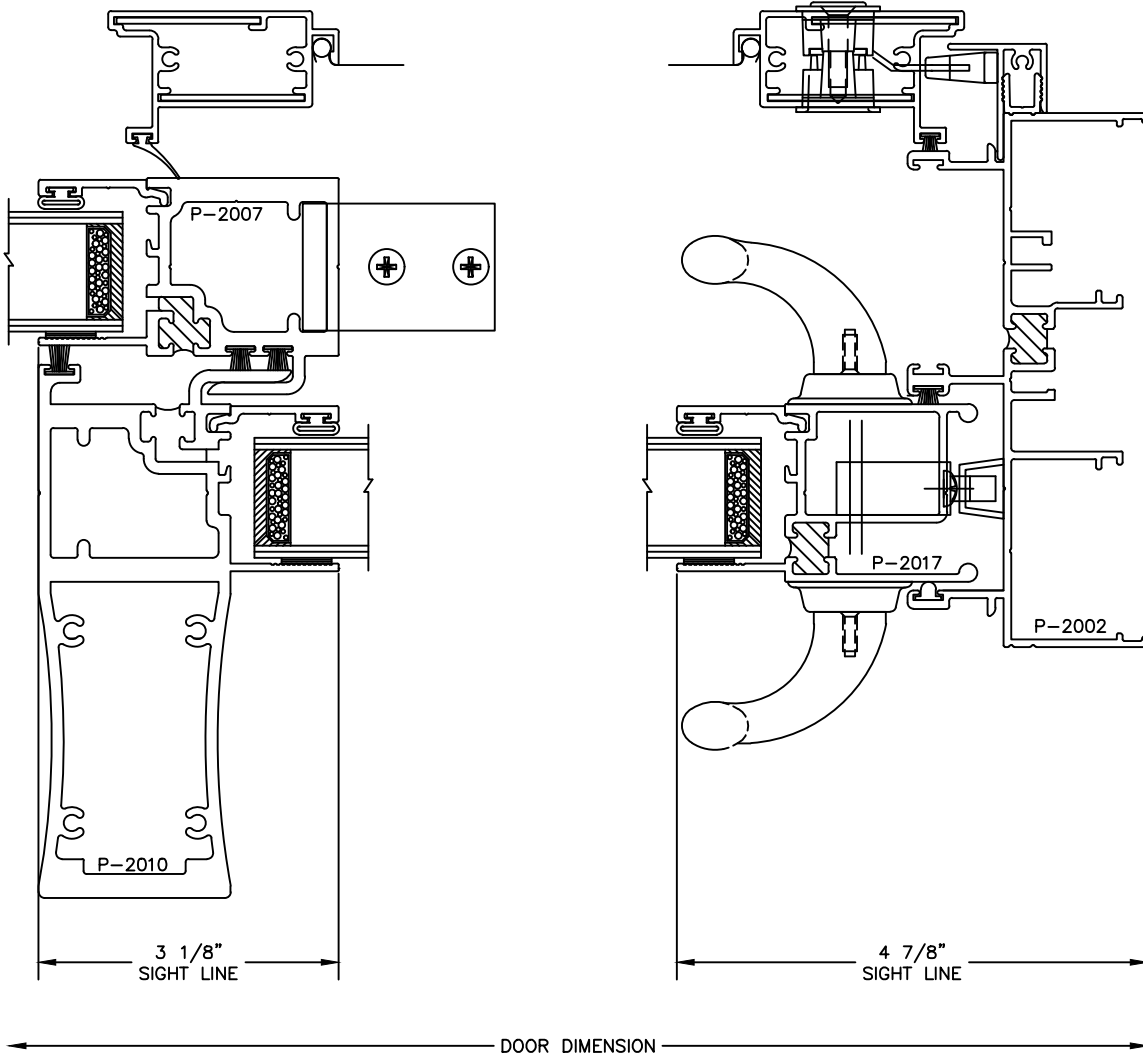


Let's Shine.

800.737.2800 • fax 417.862.1232 • BoydAluminum.com

©2011 Boyd Aluminum Manufacturing. The Boyd sunburst and logotype are trademarks of Boyd Aluminum Manufacturing. All rights reserved. Due to continued product research, specifications are subject to change without notice.

K1-5
Boyd 2012



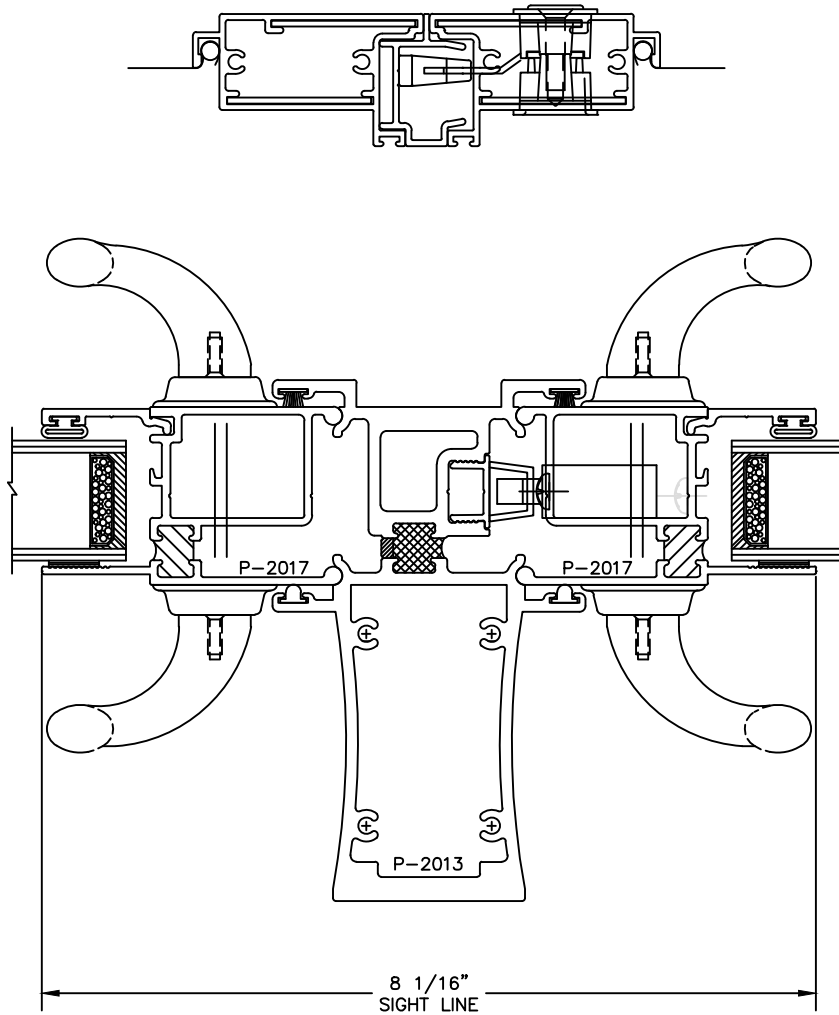
8
MEETING RAIL

9
OPERABLE JAMB

Let's Shine.

800.737.2800 • fax 417.862.1232 • BoydAluminum.com

©2011 Boyd Aluminum Manufacturing. The Boyd sunburst and logotype are trademarks of Boyd Aluminum Manufacturing. All rights reserved. Due to continued product research, specifications are subject to change without notice.



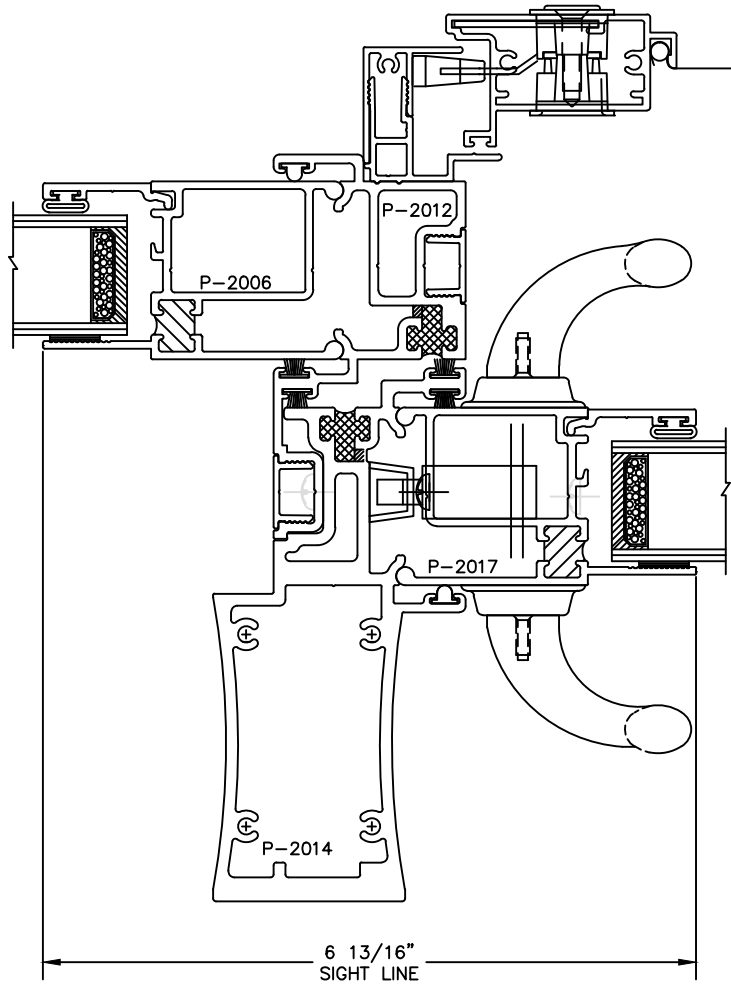
10
MEETING RAIL

Let's Shine.

800.737.2800 • fax 417.862.1232 • BoydAluminum.com

©2011 Boyd Aluminum Manufacturing. The Boyd sunburst and logotype are trademarks of Boyd Aluminum Manufacturing. All rights reserved. Due to continued product research, specifications are subject to change without notice.

K1-7
Boyd 2012



11
MEETING RAIL

Let's Shine.

800.737.2800 • fax 417.862.1232 • BoydAluminum.com

©2011 Boyd Aluminum Manufacturing. The Boyd sunburst and logotype are trademarks of Boyd Aluminum Manufacturing. All rights reserved. Due to continued product research, specifications are subject to change without notice.