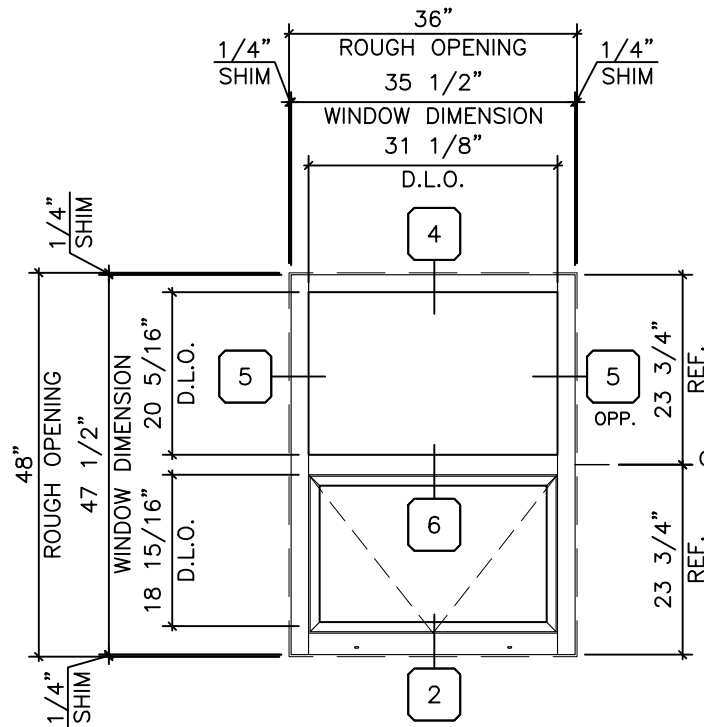


PROJECT IN

Let's Shine.

800.737.2800 • fax 417.862.1232 • [BoydAluminum.com](http://BoydAluminum.com)

©2016 Boyd Aluminum Manufacturing. The Boyd sunburst and logotype are trademarks of Boyd Aluminum Manufacturing. All rights reserved. Due to continued product research, specifications are subject to change without notice.



FIXED OVER / PROJECT IN

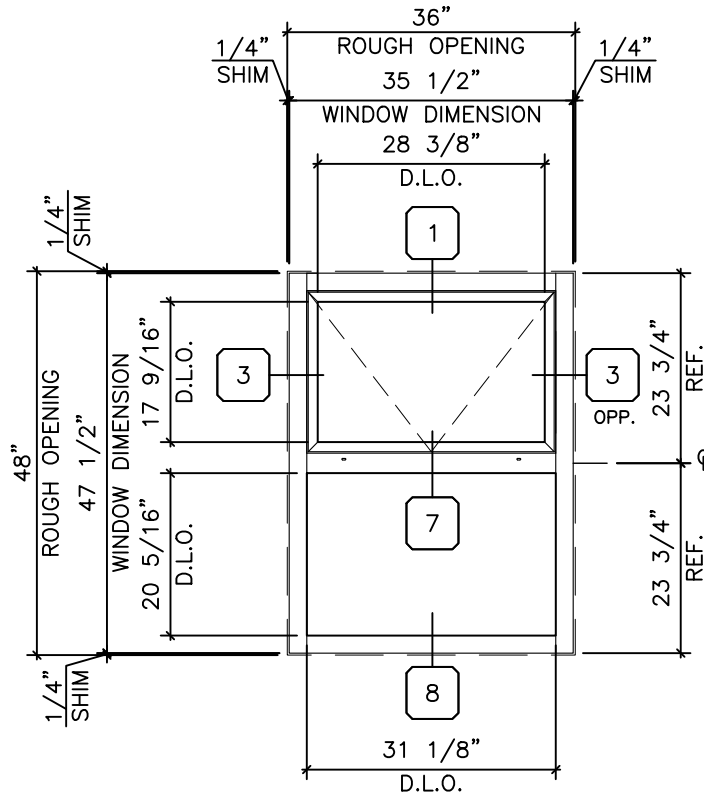
Let's Shine.

800.737.2800 • fax 417.862.1232 • [BoydAluminum.com](http://BoydAluminum.com)

©2016 Boyd Aluminum Manufacturing. The Boyd sunburst and logotype are trademarks of Boyd Aluminum Manufacturing. All rights reserved. Due to continued product research, specifications are subject to change without notice.

**E2**

012422



PROJECT IN / FIXED

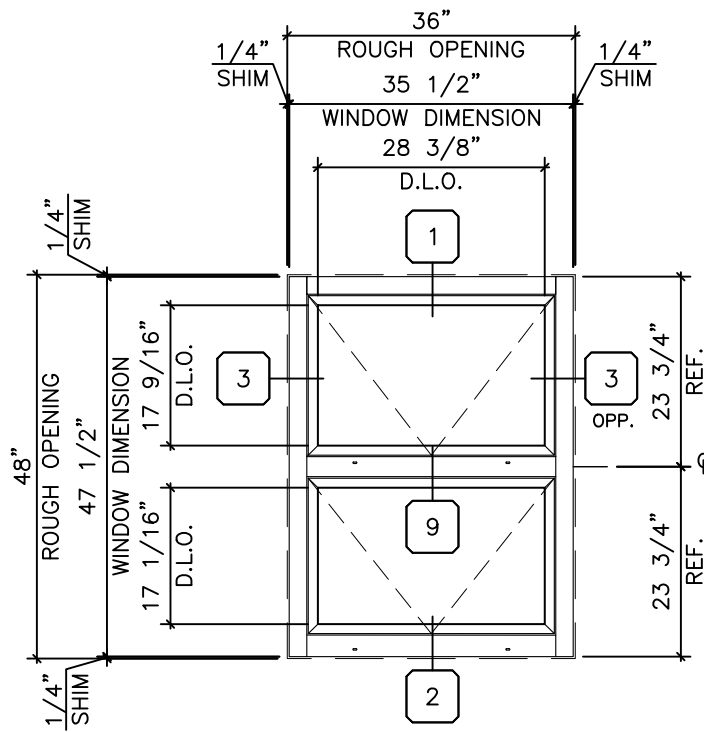
Let's Shine.

800.737.2800 • fax 417.862.1232 • [BoydAluminum.com](http://BoydAluminum.com)

©2016 Boyd Aluminum Manufacturing. The Boyd sunburst and logotype are trademarks of Boyd Aluminum Manufacturing. All rights reserved. Due to continued product research, specification are subject to change without notice.

**E3**

012422



PROJECT IN / PROJECT IN

Let's Shine.

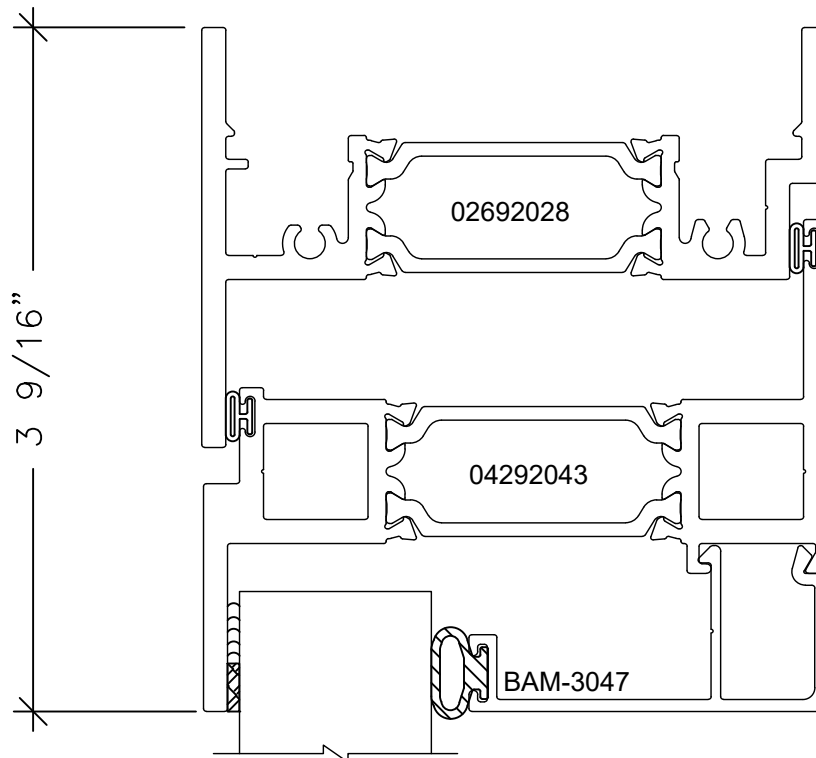
800.737.2800 • fax 417.862.1232 • [BoydAluminum.com](http://BoydAluminum.com)

©2016 Boyd Aluminum Manufacturing. The Boyd sunburst and logotype are trademarks of Boyd Aluminum Manufacturing. All rights reserved. Due to continued product research, specifications are subject to change without notice.



# Series 3250XTP (PI)

Project In Window System



Let's Shine.

800.737.2800 • fax 417.862.1232 • [BoydAluminum.com](http://BoydAluminum.com)

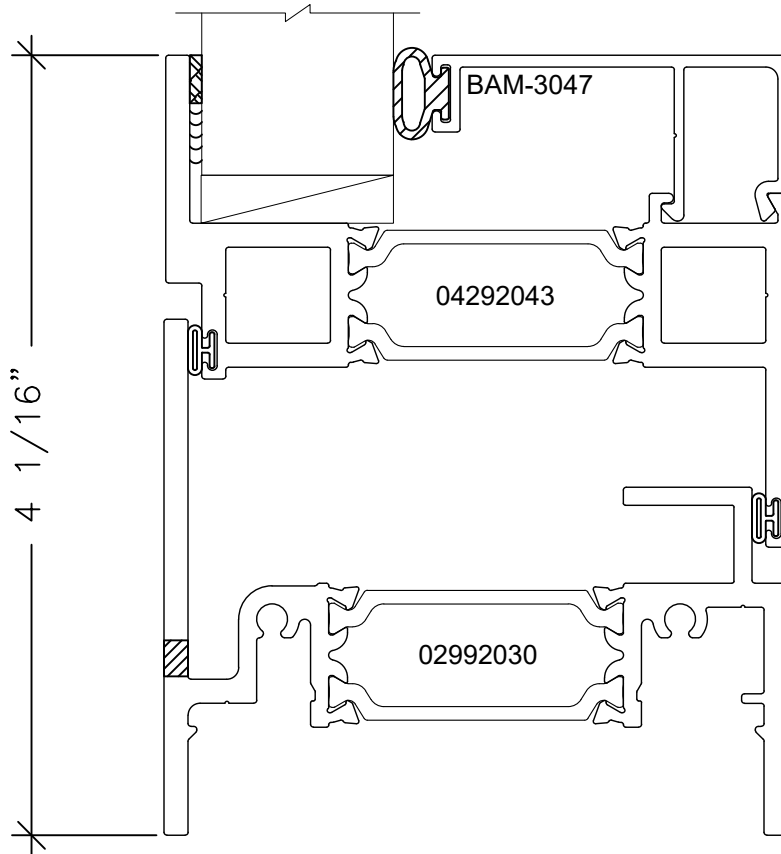
©2016 Boyd Aluminum Manufacturing. The Boyd sunburst and logotype are trademarks of Boyd Aluminum Manufacturing.  
All rights reserved. Due to continued product research, specification are subject to change without notice.

**D1**  
012422



# Series 3250XTP (PI)

Project In Window System



Let's Shine.

800.737.2800 • fax 417.862.1232 • [BoydAluminum.com](http://BoydAluminum.com)

©2016 Boyd Aluminum Manufacturing. The Boyd sunburst and logotype are trademarks of Boyd Aluminum Manufacturing.  
All rights reserved. Due to continued product research, specifications are subject to change without notice.

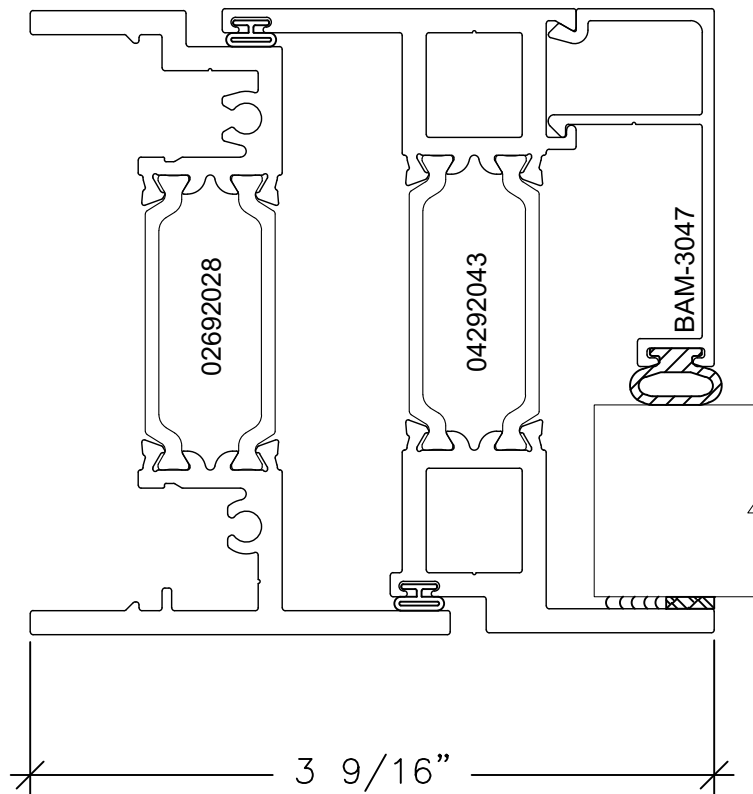
**D2**

012422



# Series 3250XTP (PI)

Project In Window System



Let's Shine.

800.737.2800 • fax 417.862.1232 • [BoydAluminum.com](http://BoydAluminum.com)

©2016 Boyd Aluminum Manufacturing. The Boyd sunburst and logotype are trademarks of Boyd Aluminum Manufacturing. All rights reserved. Due to continued product research, specifications are subject to change without notice.

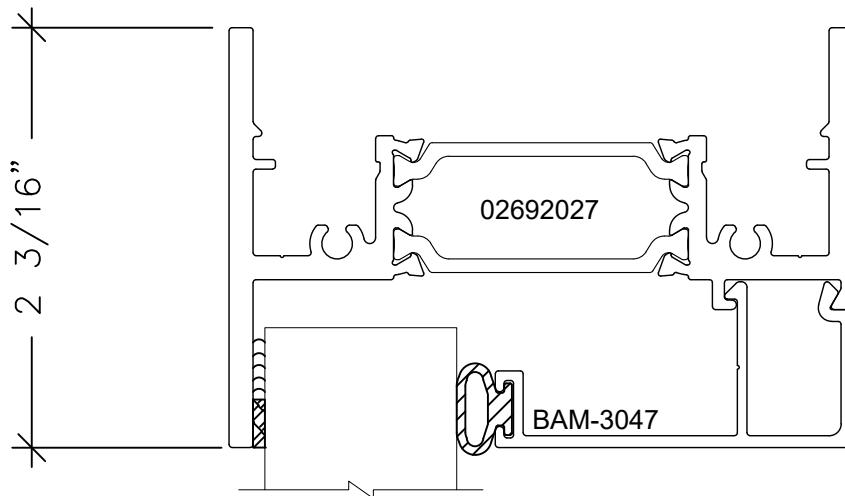
**D3**

011922



# Series 3250XTP (PI)

Project In Window System



Let's Shine.

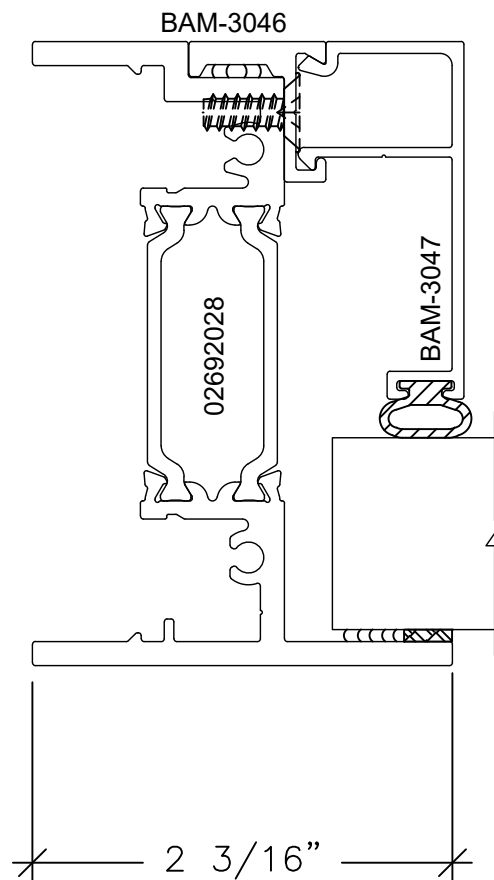
800.737.2800 • fax 417.862.1232 • [BoydAluminum.com](http://BoydAluminum.com)

©2016 Boyd Aluminum Manufacturing. The Boyd sunburst and logotype are trademarks of Boyd Aluminum Manufacturing.  
All rights reserved. Due to continued product research, specification are subject to change without notice.

**D4**

012422

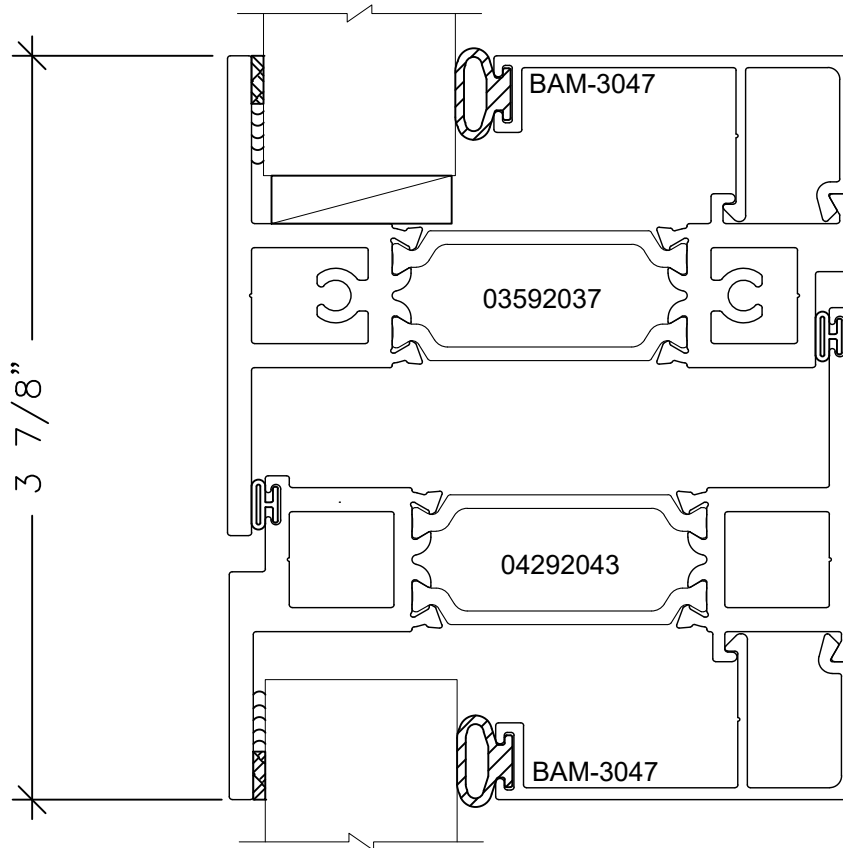






# Series 3250XTP (PI)

Project In Window System



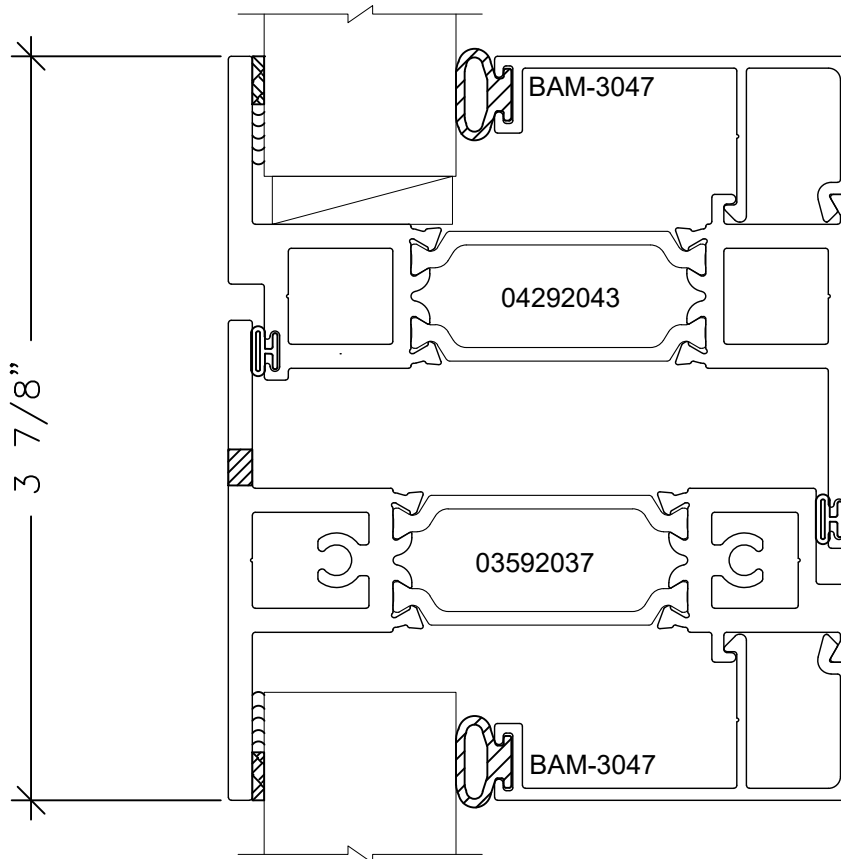
Let's Shine.

800.737.2800 • fax 417.862.1232 • [BoydAluminum.com](http://BoydAluminum.com)

©2016 Boyd Aluminum Manufacturing. The Boyd sunburst and logotype are trademarks of Boyd Aluminum Manufacturing. All rights reserved. Due to continued product research, specification are subject to change without notice.

**D6**

012422



Let's Shine.

800.737.2800 • fax 417.862.1232 • [BoydAluminum.com](http://BoydAluminum.com)

©2016 Boyd Aluminum Manufacturing. The Boyd sunburst and logotype are trademarks of Boyd Aluminum Manufacturing.  
All rights reserved. Due to continued product research, specifications are subject to change without notice.

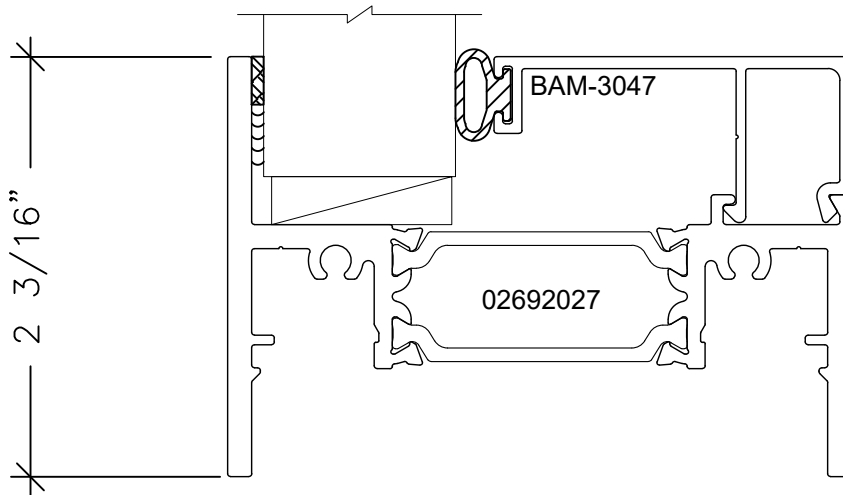
D7

012422



# Series 3250XTP (PI)

Project In Window System



Let's Shine.

800.737.2800 • fax 417.862.1232 • [BoydAluminum.com](http://BoydAluminum.com)

©2016 Boyd Aluminum Manufacturing. The Boyd sunburst and logotype are trademarks of Boyd Aluminum Manufacturing.  
All rights reserved. Due to continued product research, specification are subject to change without notice.

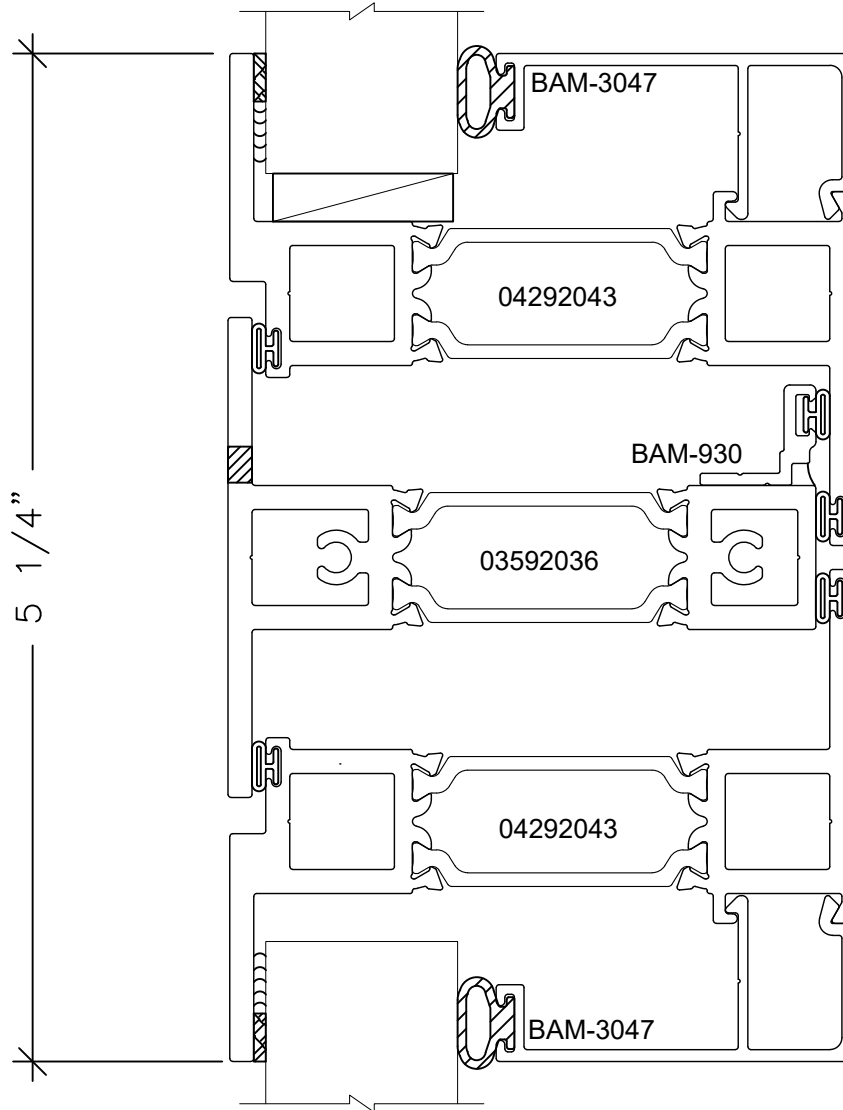
**D8**

012422



# Series 3250XTP (PI)

Project In Window System



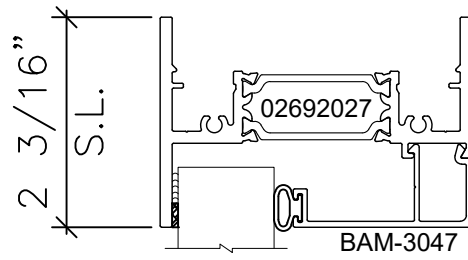
Let's Shine.

800.737.2800 • fax 417.862.1232 • [BoydAluminum.com](http://BoydAluminum.com)

©2016 Boyd Aluminum Manufacturing. The Boyd sunburst and logotype are trademarks of Boyd Aluminum Manufacturing.  
All rights reserved. Due to continued product research, specification are subject to change without notice.

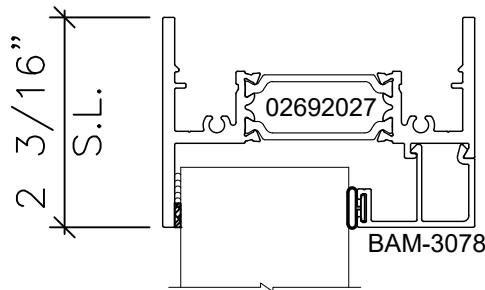
**D9**

012422



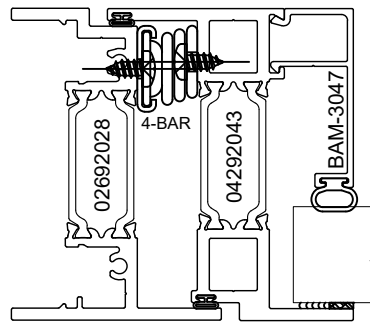
1" UNIT

GLAZING



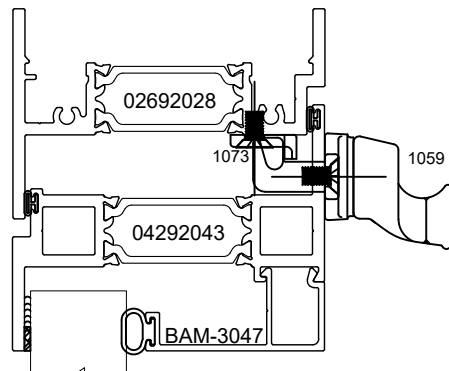
1 3/4" UNIT

JAMB



4-BAR ARM

HEAD



CAM LATCH

Let's Shine.

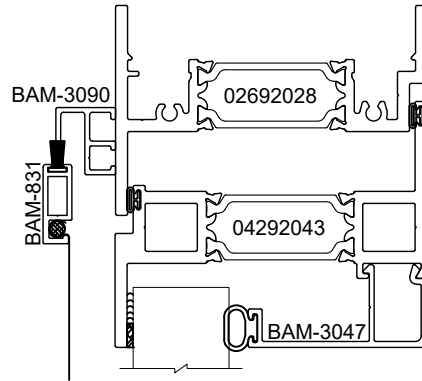
800.737.2800 • fax 417.862.1232 • [BoydAluminum.com](http://BoydAluminum.com)

©2016 Boyd Aluminum Manufacturing. The Boyd sunburst and logotype are trademarks of Boyd Aluminum Manufacturing. All rights reserved. Due to continued product research, specification are subject to change without notice.

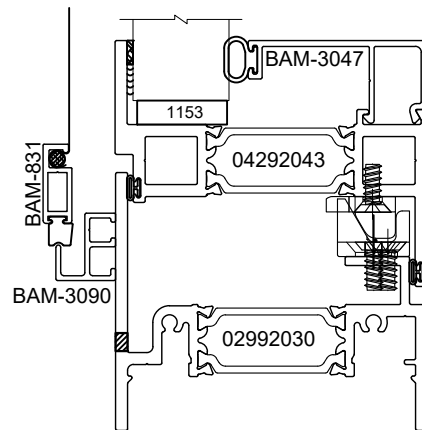
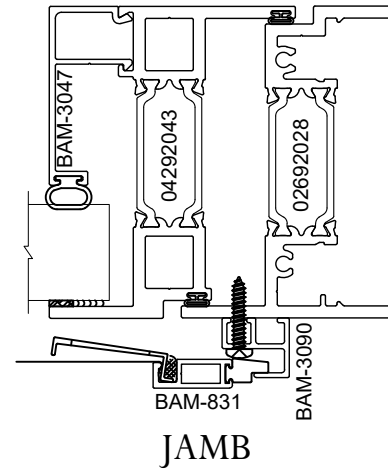
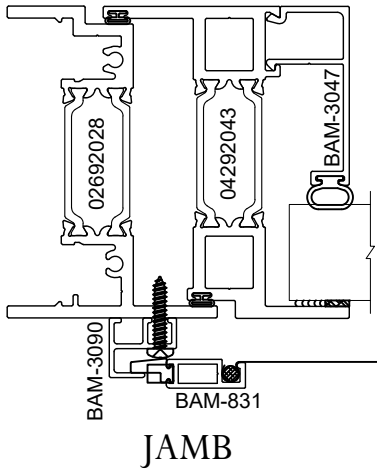
**G2**

012422

## SCREENS



## HEAD



## SILL

Let's Shine.

800.737.2800 • fax 417.862.1232 • [BoydAluminum.com](http://BoydAluminum.com)

©2016 Boyd Aluminum Manufacturing. The Boyd sunburst and logotype are trademarks of Boyd Aluminum Manufacturing. All rights reserved. Due to continued product research, specification are subject to change without notice.

**G3**

012422